

# Technical Information

## Proline Promass 83X

Coriolis flowmeter



The highest capacity four-tube flowmeter with extended transmitter functionality

### Application

- Measuring principle operates independently of physical fluid properties such as viscosity or density
- For highest flow rates and outstanding performance in on/offshore oil & gas applications

### Device properties

- Nominal diameter: DN 300 to 400 (12 to 16")
- Four-tube system with low pressure drop
- Complete exterior design made of 1.4404 (316L)
- 4-line backlit display with touch control
- Device in compact or remote version
- HART, PROFIBUS PA/DP, Modbus RS485, FF, EtherNet/IP

### Your benefits

- Increased profit – single installation point providing premium accuracy for large quantities
- Fewer process measuring points – multivariable measurement (flow, density, temperature)
- Space-saving installation – no in/outlet run needs
- Quality – software for density & concentration, advanced diagnostics
- Flexible data transfer options – numerous communication
- Automatic recovery of data for servicing

## Table of contents

<b>Function and system design</b> .....	<b>3</b>	Fluid density range .....	17
Measuring principle .....	3	Medium pressure range (nominal pressure) .....	17
Measuring system .....	4	Pressure-temperature ratings .....	18
<b>Input</b> .....	<b>4</b>	Rupture disk .....	18
Measured variable .....	4	Limiting flow .....	19
Measuring range .....	4	Pressure loss .....	19
Operable flow range .....	5	System pressure .....	19
Input signal .....	5	Heating .....	19
<b>Output</b> .....	<b>5</b>	<b>Mechanical construction</b> .....	<b>20</b>
Output signal .....	5	Design, dimensions .....	20
Signal on alarm .....	7	Weight .....	28
Load .....	7	Material .....	28
Low flow cutoff .....	7	<b>Process connections</b> .....	<b>29</b>
Galvanic isolation .....	7	<b>Operability</b> .....	<b>29</b>
Switching output .....	7	Local operation .....	29
<b>Power supply</b> .....	<b>7</b>	Language group .....	29
Terminal assignment .....	7	Remote operation .....	29
Supply voltage .....	8	<b>Certificates and approvals</b> .....	<b>29</b>
Power consumption .....	8	CE mark .....	29
Power supply failure .....	8	C-Tick symbol .....	29
Electrical connection .....	9	Ex approval .....	29
Electrical connection Remote version .....	10	Functional safety .....	29
Potential equalization .....	10	PROFIBUS DP/PA certification .....	30
Cable entries .....	10	Modbus certification .....	30
Remote version cable specification .....	10	FOUNDATION Fieldbus certification .....	30
<b>Performance characteristics</b> .....	<b>10</b>	Pressure equipment directive .....	30
Reference operating conditions .....	10	Other standards and guidelines .....	30
Maximum measured error .....	11	<b>Ordering Information</b> .....	<b>31</b>
Repeatability .....	12	<b>Accessories</b> .....	<b>31</b>
Response time .....	12	Device-specific accessories .....	31
Influence of medium temperature .....	12	Communication-specific accessories .....	32
Influence of medium pressure .....	12	Service-specific accessories .....	32
Design fundamentals .....	12	System components .....	32
<b>Installation</b> .....	<b>14</b>	<b>Documentation</b> .....	<b>33</b>
Mounting location .....	14	<b>Registered trademarks</b> .....	<b>33</b>
Orientation .....	15		
Installation instructions .....	15		
Inlet and outlet runs .....	15		
Length of connecting cable .....	15		
Special mounting instructions .....	15		
<b>Environment</b> .....	<b>16</b>		
Ambient temperature range .....	16		
Storage temperature .....	16		
Degree of protection .....	16		
Shock resistance .....	17		
Vibration resistance .....	17		
Electromagnetic compatibility (EMC) .....	17		
<b>Process</b> .....	<b>17</b>		
Medium temperature range .....	17		

## Function and system design

### Measuring principle

The measuring principle is based on the controlled generation of Coriolis forces. These forces are always present when both translational and rotational movements are superimposed.

$$F_C = 2 \cdot \Delta m (v \cdot \omega)$$

$F_C$  = Coriolis force

$\Delta m$  = moving mass

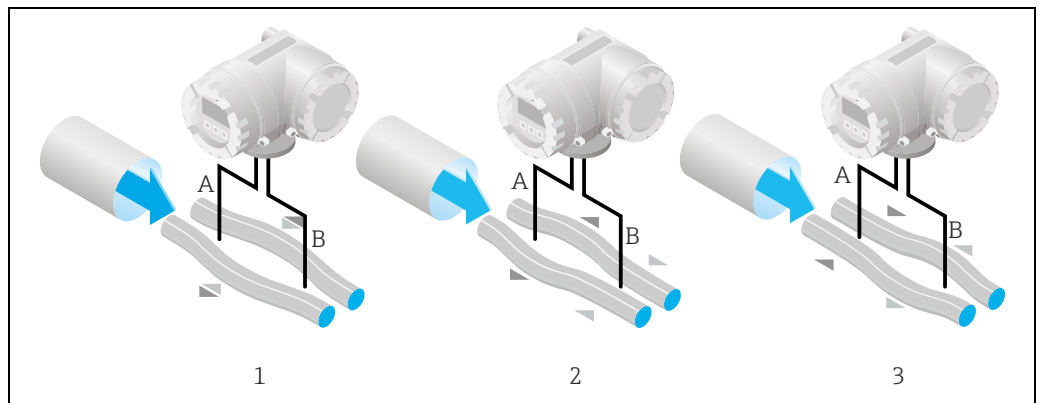
$\omega$  = rotational velocity

$v$  = velocity of the moving mass in a rotating or oscillating system

The amplitude of the Coriolis force depends on the moving mass  $\Delta m$ , its velocity  $v$  in the system, and thus on the mass flow. Instead of a constant angular velocity  $\omega$ , the Promass sensor uses oscillation.

The measuring tubes through which the measured material flows are brought into oscillation. The Coriolis forces produced at the measuring tubes cause a phase shift in the tube oscillations (see illustration):

- At zero flow, in other words when the fluid is at a standstill, the two tubes oscillate in phase (1).
- Mass flow causes deceleration of the oscillation at the inlet of the tubes (2) and acceleration at the outlet (3).



The phase difference (A-B) increases with increasing mass flow. Electrodynamic sensors register the tube oscillations at the inlet and outlet.

System balance is ensured by the antiphase oscillation of the two measuring tubes. The measuring principle operates independently of temperature, pressure, viscosity, conductivity and flow profile.

### Density measurement

The measuring tubes are continuously excited at their resonance frequency. A change in the mass and thus the density of the oscillating system (comprising measuring tubes and fluid) results in a corresponding, automatic adjustment in the oscillation frequency. Resonance frequency is thus a function of fluid density. The microprocessor utilizes this relationship to obtain a density signal.

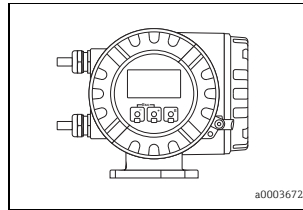
### Temperature measurement

The temperature of the measuring tubes is determined in order to calculate the compensation factor due to temperature effects. This signal corresponds to the process temperature and is also available as an output.

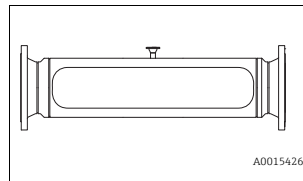
**Measuring system**

The measuring system consists of a transmitter and a sensor. Two versions are available:

- Compact version: transmitter and sensor form a mechanical unit
- Remote version: transmitter and sensor are mounted physically separate from one another

**Transmitter Promass 83**

- Four-line liquid-crystal display
- Operation with "Touch control"
- Application-specific Quick Setup
- Mass flow, volume flow, density and temperature measurement as well as calculated variables (e.g. fluid concentrations)

**Sensor Promass X**

- Universal sensor for fluid temperatures up to +180 °C (+356 °F).
- Nominal diameter DN 350 (14").
- Material:
  - Sensor: Stainless Steel 1.4404 (316L)
  - Measuring tube: Stainless Steel 1.4404 (316/316L)
  - Process connections: Stainless Steel 1.4404 (316/316L)

**Input****Measured variable**

- Mass flow (proportional to the phase difference between two sensors mounted on the measuring tube to register a phase shift in the oscillation)
- Fluid density (proportional to resonance frequency of the measuring tube)
- Fluid temperature (measured with temperature sensors)

**Measuring range****Measuring ranges for liquids**

DN		Range for full scale values (liquids) $\dot{m}_{\min(F)}$ to $\dot{m}_{\max(F)}$	
[mm]	[in]	[t/h]	[tn. sh./h]
350	14	0 to 4100	0 to 4520

**Measuring ranges for gases**

The full scale values depend on the density of the gas. Use the formula below to calculate the full scale values:

$$\dot{m}_{\max(G)} = \dot{m}_{\max(F)} \cdot \rho_{(G)} \div x \text{ [kg/m}^3 \text{ (lb/ft}^3\text{)]}$$

$$\dot{m}_{\max(G)} = \text{max. full scale value for gas [kg/h (lb/min)]}$$

$$\dot{m}_{\max(F)} = \text{max. full scale value for liquid [kg/h (lb/min)]}$$

$$\rho_{(G)} = \text{gas density in [kg/m}^3 \text{ (lb/ft}^3\text{)] under process conditions}$$

$$x = \text{Coefficient for Promass X DN 350 (14"): } x = 200$$

Here,  $\dot{m}_{\max(G)}$  can never be greater than  $\dot{m}_{\max(F)}$

*Calculation example for gas:*

- Sensor type: Promass X, DN 350
- Gas: air with a density of 60.3 kg/m<sup>3</sup> (at 20 °C and 50 bar)
- Measuring range (liquid): 70000 kg/h
- $x = 200$

Max. possible full scale value:

$$\dot{m}_{\max(G)} = \dot{m}_{\max(F)} \cdot \rho_{(G)} \div x \text{ [kg/m}^3 \text{]} = 70000 \text{ kg/h} \cdot 60.3 \text{ kg/m}^3 \div 200 \text{ kg/m}^3 = 21105 \text{ kg/h}$$

*Recommended measuring ranges:*

See information in the "Limiting flow" Section → 19

---

**Operable flow range** Greater than 1000:1. Flow rates above the preset full scale value do not overload the amplifier, i.e. the totalizer values are registered correctly.

---

**Input signal****Status input (auxiliary input)**

$U = 3$  to  $30$  V DC,  $R_i = 5$  k $\Omega$ , galvanically isolated.

Configurable for: totalizer reset, positive zero return, error message reset, zero point adjustment start, batching start/stop (optional), totalizer reset for batching (optional).

**Status input (auxiliary input) with PROFIBUS DP**

$U = 3$  to  $30$  V DC,  $R_i = 3$  k $\Omega$ , galvanically isolated.

Switch level:  $\pm 3$  to  $\pm 30$  V DC, independent of polarity.

Configurable for: positive zero return, error message reset, zero point adjustment start, batching start/stop (optional), totalizer reset for batching (optional).

**Status input (auxiliary input) with Modbus RS485**

$U = 3$  to  $30$  V DC,  $R_i = 3$  k $\Omega$ , galvanically isolated.

Switch level:  $\pm 3$  to  $\pm 30$  V DC, independent of polarity.

Configurable for: totalizer reset, positive zero return, error message reset, zero point adjustment start.

**Current input**

Active/passive selectable, galvanically isolated, resolution:  $2 \mu\text{A}$

- Active:  $4$  to  $20$  mA,  $R_L < 700 \Omega$ ,  $U_{\text{out}} = 24$  V DC, short-circuit proof
- Passive:  $0/4$  to  $20$  mA,  $R_i = 150 \Omega$ ,  $U_{\text{max}} = 30$  V DC

---

## Output

**Output signal****Current output**

Active/passive selectable, galvanically isolated, time constant selectable ( $0.05$  to  $100$  s), full scale value selectable, temperature coefficient: typically  $0.005\%$  o.r./ $^{\circ}\text{C}$ , resolution:  $0.5 \mu\text{A}$  (o.r. = of reading)


- Active:  $0/4$  to  $20$  mA,  $R_L < 700 \Omega$  (for HART:  $R_L \geq 250 \Omega$ )
- Passive:  $4$  to  $20$  mA; supply voltage  $U_S$   $18$  to  $30$  V DC;  $R_i \geq 150 \Omega$

**Pulse/frequency output**


active/passive selectable, galvanically isolated

- Active:  $24$  V DC,  $25$  mA (max.  $250$  mA during  $20$  ms),  $R_L > 100 \Omega$
- Passive: open collector,  $30$  V DC,  $250$  mA
- Frequency output:
  - full scale frequency  $2$  to  $10000$  Hz ( $f_{\text{max}} = 12500$  Hz), on/off ratio  $1:1$ , pulse width max.  $2$  s
- Pulse output:
  - pulse value and pulse polarity selectable, pulse width configurable ( $0.05$  to  $2000$  ms)


**PROFIBUS DP interface**

- PROFIBUS DP in accordance with EN 50170 Volume 2
- Profile Version 3.0
- Data transmission rate:  $9.6$  kBaud to  $12$  MBaud
- Automatic data transmission rate recognition
- Signal encoding: NRZ Code
- Function blocks:  $6 \times$  Analog Input,  $3 \times$  Totalizer
- Output data: Mass flow, Volume flow, Corrected volume flow, Density, Reference density, Temperature, Totalizers 1 to 3
- Input data: Positive zero return (ON/OFF), Zero point adjustment, Measuring mode, Totalizer control
- Bus address can be configured via miniature switches or via the local display (optional)
- Available output combination  $\rightarrow$   7

**PROFIBUS PA interface**

- PROFIBUS PA in accordance with EN 50170 Volume 2, IEC 61158-2 (MBP), galvanically isolated
- Data transmission rate: 31.25 kBit/s
- Current consumption: 11 mA
- Permitted supply voltage: 9 to 32 V
- Bus connection with integrated reverse polarity protection
- Error current FDE (Fault Disconnection Electronic): 0 mA
- Signal encoding: Manchester II
- Function blocks: 6 × Analog Input, 3 × Totalizer
- Output data: Mass flow, Volume flow, Corrected volume flow, Density, Reference density, Temperature, Totalizers 1 to 3
- Input data: Positive zero return (ON/OFF), Zero point adjustment, Measuring mode, Totalizer control
- Bus address can be configured via miniature switches or via the local display (optional)
- Available output combination →  7

**Modbus interface**

- Modbus device type: slave
- Address range: 1 to 247
- Supported function codes: 03, 04, 06, 08, 16, 23
- Broadcast: supported with the function codes 06, 16, 23
- Physical interface: RS485 in accordance with EIA/TIA-485 standard
- Supported baud rate: 1200, 2400, 4800, 9600, 19200, 38400, 57600, 115200 Baud
- Transmission mode: RTU or ASCII
- Response times:
  - Direct data access = typically 25 to 50 ms
  - Auto-scan buffer (data range) = typically 3 to 5 ms
- Possible output combinations →  7

**FOUNDATION Fieldbus interface**

- FOUNDATION Fieldbus H1, IEC 61158-2, galvanically isolated
- Data transmission rate: 31.25 kBit/s
- Current consumption: 12 mA
- Permitted supply voltage: 9 to 32 V
- Error current FDE (Fault Disconnection Electronic): 0 mA
- Bus connection with integrated reverse polarity protection
- Signal encoding: Manchester II
- ITK Version 5.01
- Function blocks:
  - 8 × Analog Input (Execution time: each 18 ms)
  - 1 × Digital Output (18 ms)
  - 1 × PID (25 ms)
  - 1 × Arithmetic (20 ms)
  - 1 × Input Selector (20 ms)
  - 1 × Signal Characterizer (20 ms)
  - 1 × Integrator (18 ms)
- Number of VCRs: 38
- Number of link objects in VFD: 40
- Output data: Mass flow, Volume flow, Corrected volume flow, Density, Reference density, Temperature, Totalizers 1 to 3
- Input data: Positive zero return (ON/OFF), Zero point adjustment, Measuring mode, Reset totalizer
- Link Master (LM) function is supported

**Signal on alarm**

**Current output**

Failsafe mode selectable (e.g. in accordance with NAMUR Recommendation NE 43)

**Pulse/frequency output**

Failsafe mode selectable

**Relay output**

Dead in the event of a fault or if the power supply fails

**Load**

see "Output signal"

**Low flow cutoff**

Switch points for low flow are selectable.

**Galvanic isolation**

All circuits for inputs, outputs, and power supply are galvanically isolated from each other.

**Switching output**

**Relay output**

- max. 30 V / 0.5 A AC; 60 V / 0.1 A DC
- galvanically isolated
- Normally closed (NC or break) or normally open (NO or make) contacts available (factory setting: relay 1 = NO, relay 2 = NC)

## Power supply

**Terminal assignment**

The inputs and outputs on the communication board can be either permanently assigned (fixed) or variable (flexible), depending on the version ordered (see table). Replacements for modules which are defective or which have to be replaced can be ordered as accessories.

Order characteristic for "inputs/outputs"	Terminal No. (inputs/outputs)			
	20 (+) / 21 (-)	22 (+) / 23 (-)	24 (+) / 25 (-)	26 (+) / 27 (-)
<i>Fixed communication boards (permanent assignment)</i>				
A	-	-	Frequency output	Current output, HART
B	Relay output	Relay output	Frequency output	Current output, HART
F	-	-	-	PROFIBUS PA, Ex i
G	-	-	-	FOUNDATION Fieldbus Ex i
H	-	-	-	PROFIBUS PA
J	-	-	+5V (ext. termination)	PROFIBUS DP
K	-	-	-	FOUNDATION Fieldbus
Q	-	-	Status input	Modbus RS485
R	-	-	Current output 2 Ex i, active	Current output 1 Ex i active, HART
S	-	-	Frequency output Ex i, passive	Current output Ex i Active, HART
T	-	-	Frequency output Ex i, passive	Current output Ex i Passive, HART
U	-	-	Current output 2 Ex i, passive	Current output 1 Ex i passive, HART
<i>Flexible communication boards</i>				
C	Relay output 2	Relay output 1	Frequency output	Current output, HART

Order characteristic for "inputs/outputs"	Terminal No. (inputs/outputs)			
	20 (+) / 21 (-)	22 (+) / 23 (-)	24 (+) / 25 (-)	26 (+) / 27 (-)
D	Status input	Relay output	Frequency output	Current output, HART
E	Status input	Relay output	Current output 2	Current output, HART
L	Status input	Relay output 2	Relay output 1	Current output, HART
M	Status input	Frequency output 2	Frequency output 1	Current output, HART
N	Current output	Frequency output	Status input	Modbus RS485
P	Current output	Frequency output	Status input	PROFIBUS DP
V	Relay output 2	Relay output 1	Status input	PROFIBUS DP
W	Relay output	Current output 3	Current output 2	Current output 1, HART
0	Status input	Current output 3	Current output 2	Current output 1, HART
2	Relay output	Current output 2	Frequency output	Current output 1, HART
3	Current input	Relay output	Current output 2	Current output 1, HART
4	Current input	Relay output	Frequency output	Current output, HART
5	Status input	Current input	Frequency output	Current output, HART
6	Status input	Current input	Current output 2	Current output 1, HART
7	Relay output 2	Relay output 1	Status input	Modbus RS485

**Supply voltage** 85 to 260 V AC, 45 to 65 Hz  
20 to 55 V AC, 45 to 65 Hz  
16 to 62 V DC

**Power consumption** AC: <15 VA (including sensor)  
DC: <15 W (including sensor)

*Switch-on current:*

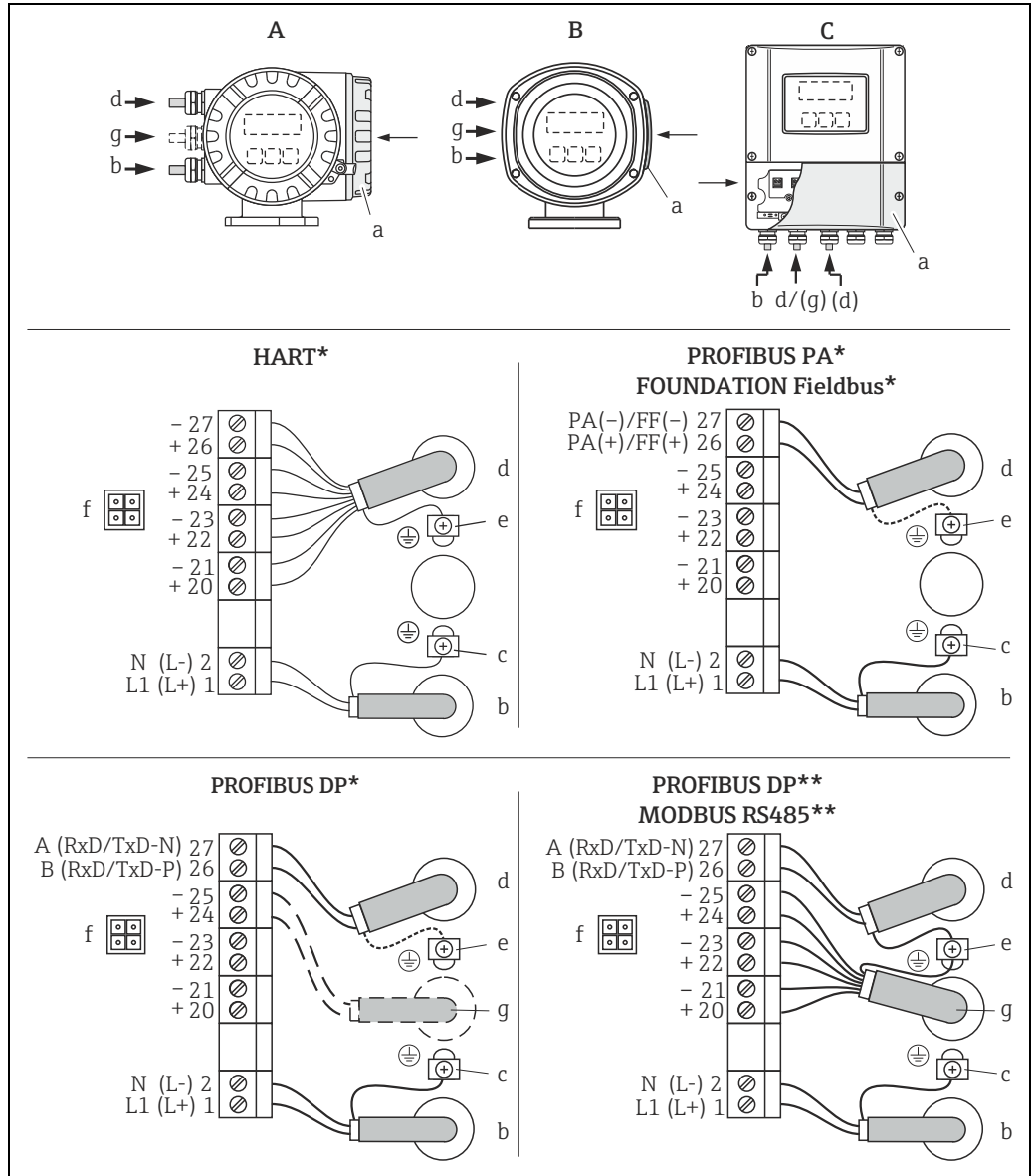
- Max. 13.5 A (<50 ms) at 24 V DC
- Max. 3 A (<5 ms) at 260 V AC

**Power supply failure** Lasting min. 1 power cycle:

- EEPROM and T-DAT save the measuring system data if the power supply fails.
- HistoROM/S-DAT: exchangeable data storage chip with sensor specific data (nominal diameter, serial number, calibration factor, zero point, etc.)



Electrical connection



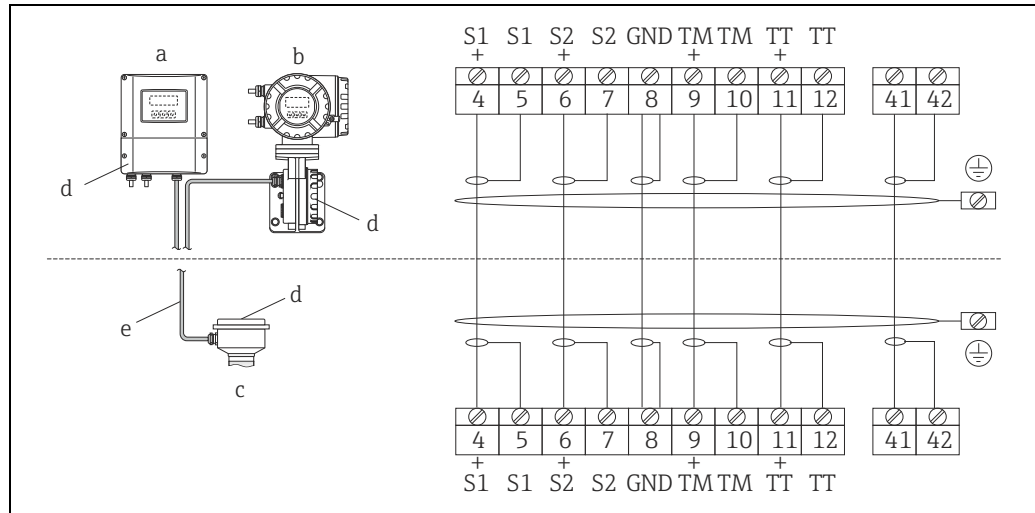
a0002441

Connecting the transmitter, cable cross-section: max. 2.5 mm<sup>2</sup>

- A View A (field housing)
- B View B (Stainless Steel field housing)
- C View C (wall-mount housing)

- \*) fixed communication board
- \*\*\*) flexible communication board
- a Connection compartment cover
- b Cable for power supply: 85 to 260 V AC, 20 to 55 V AC, 16 to 62 V DC  
Terminal No. 1: L1 for AC, L+ for DC  
Terminal No. 2: N for AC, L- for DC
- c Ground terminal for protective ground
- d Signal cable: see Terminal assignment → 7  
Fieldbus cable:  
Terminal No. 26: DP (B) / PA (+) / FF (+) / Modbus RS485 (B) / (PA, FF: with reverse polarity protection)  
Terminal No. 27: DP (A) / PA (-) / FF (-) / Modbus RS485 (A) / (PA, FF: with reverse polarity protection)
- e Ground terminal for signal cable shield / fieldbus cable / RS485 line
- f Service adapter for connecting service interface FXA 193 (Fieldcheck, FieldCare)
- g Signal cable: see Terminal assignment → 7  
Cable for external termination (only for PROFIBUS DP with permanent assignment communication board):  
Terminal No. 24: +5 V  
Terminal No. 25: DGND

## Electrical connection Remote version



### Connecting the remote version

- a Wall-mount housing: non-hazardous area and ATEX II3G / zone 2 → see separate "Ex documentation"  
 b Wall-mount housing: ATEX II2G / Zone 1 /FM/CSA → see separate "Ex documentation"  
 c Connection housing sensor  
 d Cover for connection compartment or connection housing  
 e Connecting cable

Terminal No.: 4/5 = gray; 6/7 = green; 8 = yellow; 9/10 = pink; 11/12 = white; 41/42 = brown

## Potential equalization

No special measures for potential equalization are required. For instruments for use in hazardous areas, observe the corresponding guidelines in the specific Ex documentation.

## Cable entries

### Power-supply and signal cables (inputs/outputs):

- Cable entry M20 × 1.5 (8 to 12 mm / 0.31" to 0.47")
- Thread for cable entries, ½" NPT, G ½"

### Connecting cable for remote version:

- Cable entry M20 × 1.5 (8 to 12 mm / 0.31" to 0.47")
- Thread for cable entries, ½" NPT, G ½"

## Remote version cable specification

- 6 × 0.38 mm<sup>2</sup> (PVC cable with common shield and individually shielded cores)
- Conductor resistance: ≤ 50 Ω/km (≤0.015 Ω/ft)
- Capacitance: core/shield: ≤ 420 pF/m (≤128 pF/ft)
- Cable length: max. 20 m (65 ft)
- Permanent operating temperature: max. +105 °C (+221 °F)

Operation in zones of severe electrical interference:

The measuring device complies with the general safety requirements in accordance with EN 61010, the EMC requirements of EN 61326/A1, and NAMUR recommendation NE 21/43.

## Performance characteristics

### Reference operating conditions

- Error limits following ISO/DIN 11631
- Water, typically +15 to +45 °C (+59 to +113 °F); 2 to 6 bar (29 to 87 psi)
- Data according to calibration protocol
- Accuracy based on accredited calibration rigs according to ISO 17025

To obtain measured errors, use the Applicator sizing tool *Applicator*: → 32.

**Maximum measured error** o.r. = of reading;  $1 \text{ g/cm}^3 = 1 \text{ kg/l}$ ; T = fluid temperature

**Base accuracy**

**Mass and volume flow (liquids)**

- $\pm 0.05\%$  o.r. (PremiumCal, for mass flow)
- $\pm 0.10\%$  o.r.

**Mass flow (gases)**

$\pm 0.35\%$

**Density (liquids)**

- Reference conditions:  $\pm 0.0005 \text{ g/cm}^3$
- Field density calibration:  $\pm 0.0005 \text{ g/cm}^3$   
(valid after a field density calibration under process conditions)
- Standard density calibration:  $\pm 0.01 \text{ g/cm}^3$   
(valid over the entire measuring range and density range → 17)
- Special density calibration:  $\pm 0.001 \text{ g/cm}^3$   
(optional, valid range:  $+5$  to  $+80 \text{ °C}$  ( $+41$  to  $+176 \text{ °F}$ ) and  $0.0$  to  $2.0 \text{ g/cm}^3$ )

**Temperature**

$\pm 0.5 \text{ °C} \pm 0.005 \cdot T \text{ °C}$  ( $\pm 1 \text{ °F} \pm 0.003 \cdot (T - 32) \text{ °F}$ )

**Zero point stability**

DN		Zero point stability	
[mm]	[in]	[kg/h]	[lb/min]
350	14	137	5.03

**Flow values**

Flow values as turndown parameter.

*SI units*

DN	1:1	1:10	1:20	1:50	1:100	1:500
[mm]	[kg/h]	[kg/h]	[kg/h]	[kg/h]	[kg/h]	[kg/h]
350	4 100 000	410 000	205 000	82 000	41 000	8 200

*US units*

DN	1:1	1:10	1:20	1:50	1:100	1:500
[in]	[lb/min]	[lb/min]	[lb/min]	[lb/min]	[lb/min]	[lb/min]
14	150 700	15 070	7 535	3 014	1 507	301.4

**Accuracy of outputs**

o.r. = of reading; o.f.s. = of full scale value

The output accuracy must be factored into the measured error if analog outputs are used, but can be ignored for fieldbus outputs (e.g. Modbus RS485, EtherNet/IP).

*Current output*

Accuracy: Max.  $\pm 0.05\%$  o.f.s. or  $\pm 5 \mu\text{A}$

*Pulse/frequency output*

Genauigkeit: Max.  $\pm 50\%$  ppm o.r.

**Repeatability**

o.r. = of reading;  $1 \text{ g/cm}^3 = 1 \text{ kg/l}$ ; T = fluid temperature

Design fundamentals →  12.

**Base repeatability**

**Mass flow and volume flow (liquids)**

- $\pm 0.025\%$  o.r. (PremiumCal, for mass flow)
- $\pm 0.05\%$  o.r.

**Mass flow (gases):**

$\pm 0.25\%$  o.r.

**Density (liquids)**

$\pm 0.00025 \text{ g/cm}^3$

**Temperature**

$\pm 0.25 \text{ }^\circ\text{C} \pm 0.0025 \cdot T \text{ }^\circ\text{C}$  ( $\pm 0.45 \text{ }^\circ\text{F} \pm 0.0015 \cdot (T - 32) \text{ }^\circ\text{F}$ )

**Response time**

- The response time depends on the configuration (damping).
- Response time in the event of erratic changes in the measured variable (only mass flow): after 100 ms 95% of the full scale value.

**Influence of medium temperature**

When there is a difference between the temperature for zero point adjustment and the process temperature, the typical measured error of the Promass sensor is  $\pm 0.0002\%$  of the full scale value/ $^\circ\text{C}$  ( $\pm 0.0001\%$  of the full scale value /  $^\circ\text{F}$ ).

**Influence of medium pressure**

The table below shows the effect on accuracy of mass flow due to a difference between calibration pressure and process pressure.


DN		[% o.r./bar]
[mm]	[in]	
350	14	-0.009

**Design fundamentals**

o.r. = of reading


BaseAccu = base accuracy in % o.r.

BaseRepeat = base repeatability in % o.r.

MeasValue = measured value (in flow units consistent with the zero point stability value →  11)

ZeroPoint = zero point stability

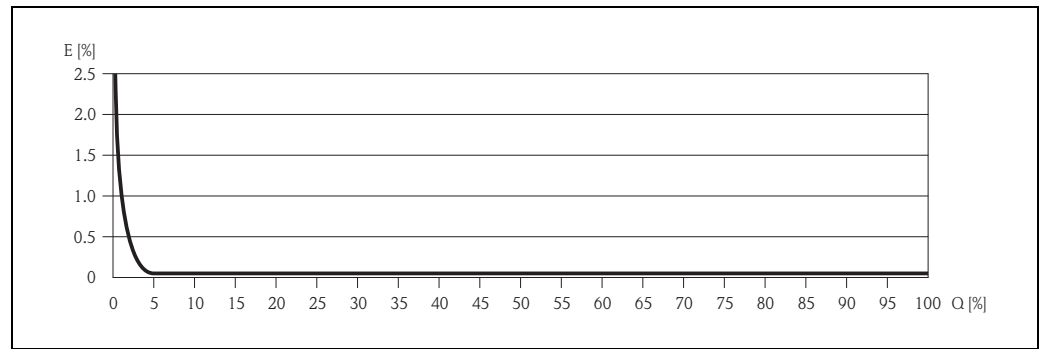
**Calculation of the maximum measured error depending on flowrate**

Flowrate (in flow units consistent with the zero point stability value →  11)	Maximum measured error in % o.r.
$\geq \frac{\text{ZeroPoint}}{\text{BaseAccu}} \cdot 100$ <small>A0021332</small>	$\pm \text{BaseAccu}$ <small>A0021339</small>
$< \frac{\text{ZeroPoint}}{\text{BaseAccu}} \cdot 100$ <small>A002133</small>	$\pm \frac{\text{ZeroPoint}}{\text{MeasValue}} \cdot 100$ <small>A0021334</small>

Calculation of the repeatability depending on flowrate

Flowrate (in flow units consistent with the zero point stability value → 11)	Repeatability in % o.r.
$\geq \frac{\frac{1}{2} \cdot \text{ZeroPoint}}{\text{BaseRepeat}} \cdot 100$ <small>A0021335</small>	$\pm \text{BaseRepeat}$ <small>A0021340</small>
$< \frac{\frac{1}{2} \cdot \text{ZeroPoint}}{\text{BaseRepeat}} \cdot 100$ <small>A0021336</small>	$\pm \frac{1}{2} \cdot \frac{\text{ZeroPoint}}{\text{MeasValue}} \cdot 100$ <small>A0021337</small>

Example for maximum measured error



E = Error: Maximum measured error as % o.r.

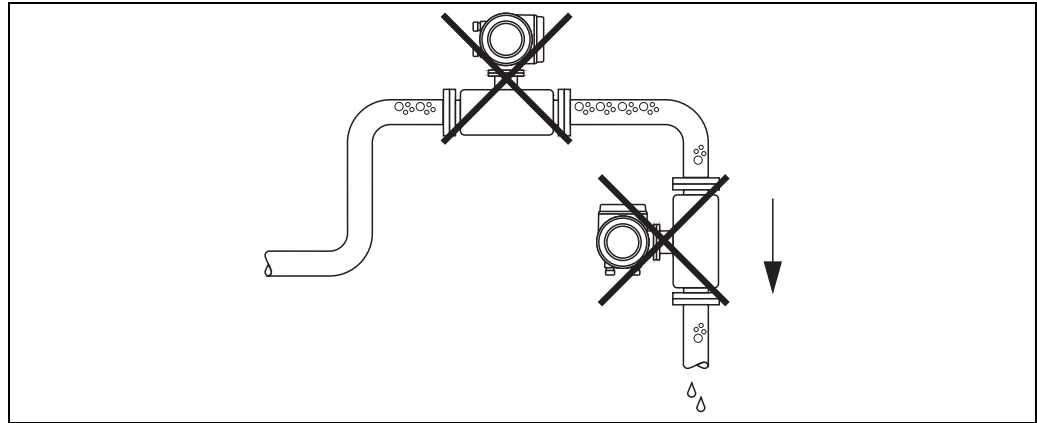
Q = Flow rate as %

## Installation

### Mounting location

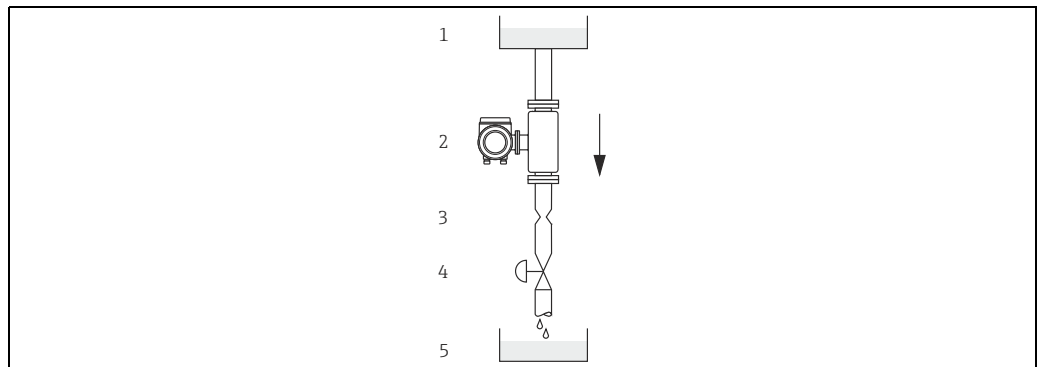
Entrained air or gas bubbles in the measuring tube can result in an increase in measuring errors. **Avoid** the following mounting locations in the pipe:

- Highest point of a pipeline. Risk of air accumulating.
- Directly upstream from a free pipe outlet in a vertical pipeline



a0003605

Notwithstanding the above, the installation proposal below permits installation in an open vertical pipeline. Pipe restrictions or the use of an orifice with a smaller cross-section than the nominal diameter prevent the sensor running empty while measurement is in progress.



a0003597

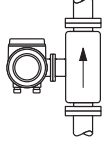
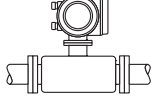
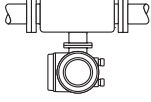
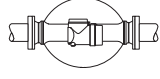
Installation in a down pipe (e.g. for batching applications)

1 = Supply tank, 2 = Sensor, 3 = Orifice plate, pipe restriction (see table on following page), 4 = Valve, 5 = Batching tank

DN		Ø Orifice plate, pipe restriction	
[mm]	[in]	[mm]	[in]
350	14	210	8.27

**Orientation**

Make sure that the direction of the arrow on the nameplate of the sensor matches the direction of flow (direction in which the fluid flows through the pipe).

Orientation	Vertical	Horizontal, Transmitter head up	Horizontal, Transmitter head down	Horizontal, Transmitter head to the side
	 <small>a0004572</small> <i>Abb. V</i>	 <small>a0004576</small> <i>Abb. H1</i>	 <small>a0004580</small> <i>Abb. H2</i>	 <small>A0015824</small> <i>Abb. H3</i>
Compact version	✓✓	✓✓	✓✓	✓ <sup>1</sup>
Remote version	✓✓	✓✓	✓✓	✓ <sup>1</sup>

✓✓ = Recommended orientation; ✓ = Orientation recommended in certain situations; ✗ = Impermissible orientation

<sup>1</sup> = When using a bent measuring tube and horizontal installation, the position of the sensor has to be matched to the fluid properties:

- Conditionally for fluids with entrained solids. Risk of solids accumulating!
- Conditionally for outgassing fluids. Risk of air accumulating!

**Vertical (View V)**

Recommended orientation with upward direction of flow (View V). When fluid is not flowing, entrained solids will sink down and gases will rise away from the measuring tube. The measuring tubes can be completely drained and protected against solids build-up.

**Horizontal (Views H1, H2)**

The measuring tubes must be horizontal and beside each other. When installation is correct the transmitter housing is above or below the pipe (Views H1, H2).

**Installation instructions**

Note the following points:

- No special measures such as supports are necessary. External forces are absorbed by the construction of the instrument, for example the secondary containment.
- The high oscillation frequency of the measuring tubes ensures that the correct operation of the measuring system is not influenced by pipe vibrations.
- No special precautions need to be taken for fittings which create turbulence (valves, elbows, T-pieces, etc.), as long as no cavitation occurs.
- For mechanical reasons and to protect the pipe, support is recommended for heavy sensors.

**Inlet and outlet runs**

There are no installation requirements regarding inlet and outlet runs.

**Length of connecting cable**

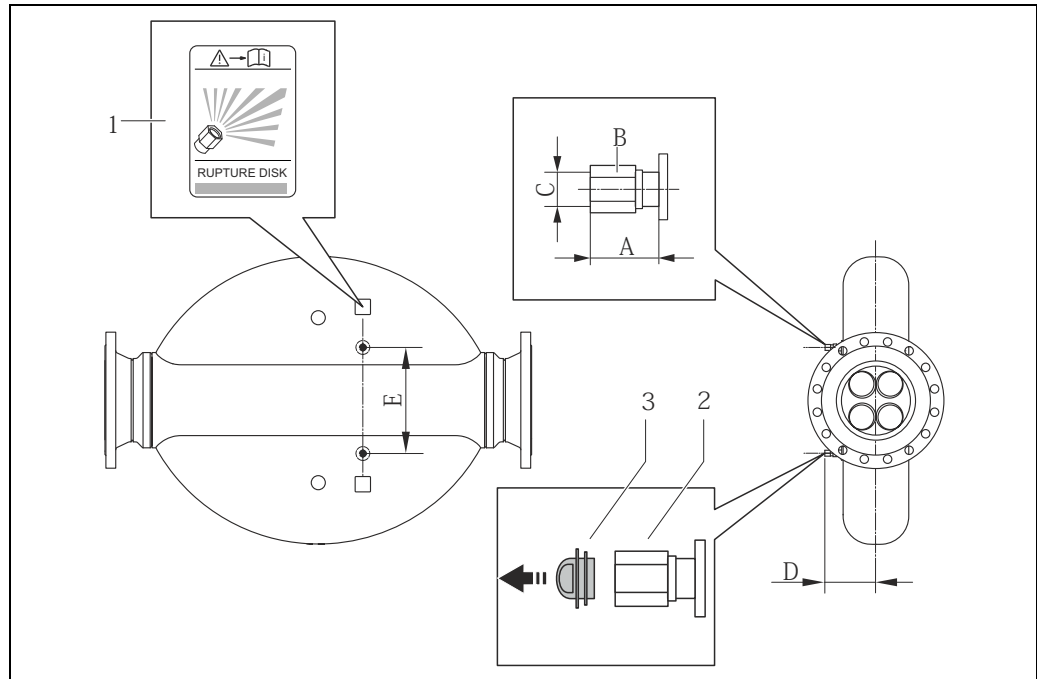
max. 20 m (65 ft), remote version

**Special mounting instructions**

**Rupture disk**

Make sure that the function and operation of the rupture disk is not impeded through the installation of the device. The position of the rupture disk is indicated on a sticker beside it. For additional information that is relevant to the process (→ 18).

The existing connecting nozzles are not designed for a rinse or pressure monitoring function.



A0015433

- 1 Indication label for the rupture disk
- 2 1/2" NPT internal screw thread with 1" width across flat
- 3 Transport protection

DN		A		B	C	D		E	
[mm]	[in]	[mm]	[in]			[mm]	[in]	[mm]	[in]
350	14	approx. 42	approx. 1.65	SW 1"	1/2" NPT	approx. 220	approx. 8.66	547	21.53

### Zero point adjustment

All measuring devices are calibrated to state-of-the-art technology. Calibration takes place under reference operating conditions → 10. Consequently, the zero point adjustment is generally not necessary.

Experience shows that the zero point adjustment is advisable only in special cases:

- To achieve highest measuring accuracy also with small flow rates
- Under extreme process or operating conditions (e.g. very high process temperatures or very high-viscosity fluids).

## Environment

### Ambient temperature range

Sensor and transmitter

- Standard: -20 to +60 °C (-4 to +140 °F)
- Optional: -40 to +60 °C (-40 to +140 °F)



Note!

- Install the device at a shady location. Avoid direct sunlight, particularly in warm climatic regions.
- At ambient temperatures below -20 °C (-4 °F) the readability of the display may be impaired.

### Storage temperature

-40 to +80 °C (-40 to +175 °F), preferably +20 °C (+68 °F)

### Degree of protection

Standard: IP 67 (NEMA 4X) for transmitter and sensor



<b>Shock resistance</b>	In accordance with IEC 60068-2-31
<b>Vibration resistance</b>	Acceleration up to 1 g, 10 to 150 Hz, following IEC 60068-2-6
<b>Electromagnetic compatibility (EMC)</b>	To IEC/EN 61326 and NAMUR Recommendation NE 21

## Process

<b>Medium temperature range</b>	<b>Sensor</b> -50 to +180 °C (-58 to +356 °F)
<b>Fluid density range</b>	0 to 5000 kg/m <sup>3</sup> (0 to 312 lb/ft <sup>3</sup> )

<b>Medium pressure range (nominal pressure)</b>	<b>Flanges</b> <ul style="list-style-type: none"> <li>▪ according to DIN PN 10 to 100</li> <li>▪ according to ASME B16.5 CI 150, CI 300, CI 600</li> </ul>
---	--

### Secondary containment pressure rating

The sensor housing is filled with dry nitrogen and protects the electronics and mechanics inside.

Pressure rating according to ASME BPVC

DN		Secondary containment rating (designed with a safety factor ≥ 4)		Burst pressure of secondary containment	
[mm]	[in]	[bar]	[psi]	[bar]	[psi]
350	14	6	87	28	415



### Note!

In case a danger of measuring tube failure exists due to process characteristics, e.g. with corrosive process fluids, we recommend the use of sensors whose secondary containment is equipped with special pressure monitoring connections as standard. With the help of these connections, fluid collected in the secondary containment in the event of tube failure can be bled off. This is especially important in high pressure gas applications. These connections can also be used for gas circulation and/or gas detection (dimensions → 28).

Do not open the purge connections unless the containment can be filled immediately with a dry inert gas. Use only low gauge pressure to purge. Maximum pressure: 5 bar (72.5 psi).

If a device equipped with purge connections is connected to the purge system, the maximum pressure rating is defined by the purge system itself or the device, whichever is lower.

If the device is equipped with a rupture disk, the maximum pressure rating is defined by the rupture disk properties (→ 18).

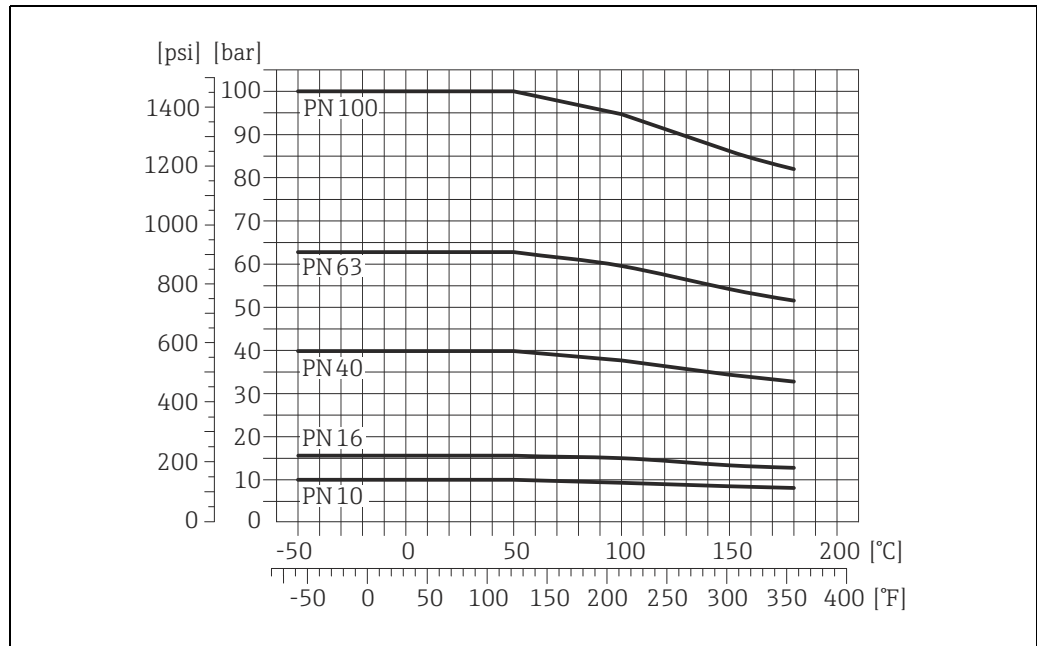
**Pressure-temperature ratings**



**Warning!**  
The following pressure-temperature ratings refer to the entire sensor and not just the process connection.

**Flange connection according to EN 1092-1 (DIN 2501)**

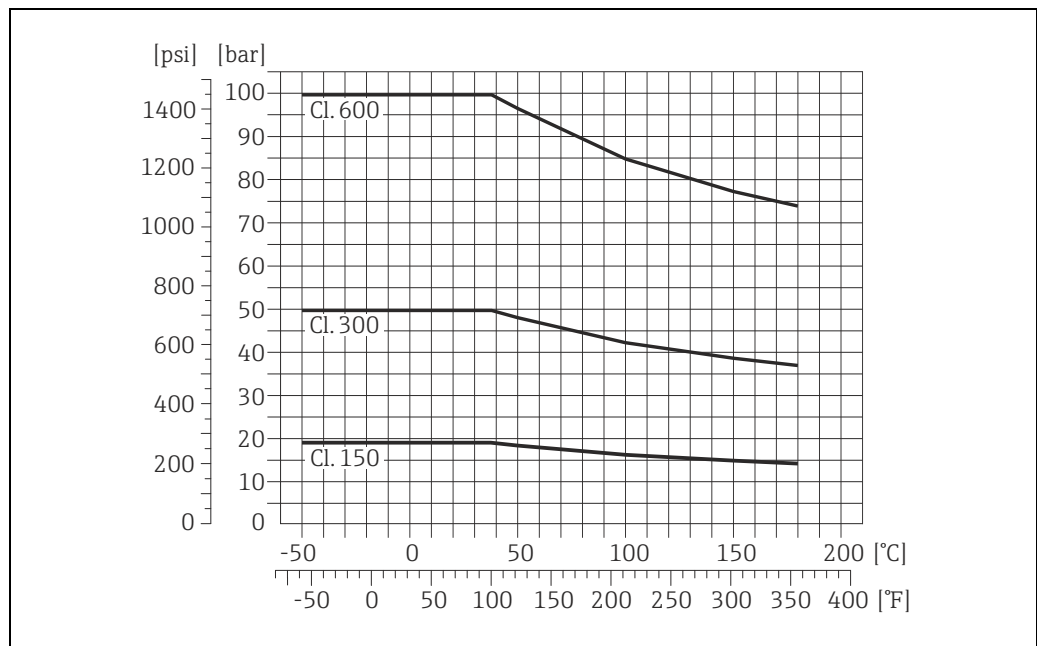
Flange material: 1.4404 (F316/F316L)



A0015432

**Flange connection according to ASME B16.5**

Flange material: 1.4404 (F316/F316L)




A0015434


**Rupture disk**

To increase the level of safety, a device version with a rupture disk with a triggering pressure of 5.5 to 6.5 bar (80 to 94 psi) can be used. Special mounting instructions: (→ 15).


**Limiting flow**

See information in the "Measuring range" Section →  4

Select nominal diameter by optimizing between required flow range and permissible pressure loss. An overview of max. possible full scale values can be found in the "Measuring range" Section.

- The minimum recommended full scale value is approx. 1/20 of the max. full scale value.
- In most applications, 20 to 50% of the maximum full scale value can be considered ideal.
- Select a lower full scale value for abrasive substances such as fluids with entrained solids (flow velocity <1 m/s (<3 ft/s)).
- For gas measurement the following rules apply:
  - Flow velocity in the measuring tubes should not be more than half the sonic velocity (0.5 Mach).
  - The maximum mass flow depends on the density of the gas: formula →  4

**Pressure loss**

To calculate the pressure loss, use the *Applicator* sizing tool (→  31).

**System pressure**

It is important to ensure that cavitation does not occur, because it would influence the oscillation of the measuring tube. No special measures need to be taken for fluids which have properties similar to water under normal conditions.

In the case of liquids with a low boiling point (hydrocarbons, solvents, liquefied gases) or in suction lines, it is important to ensure that pressure does not drop below the vapor pressure and that the liquid does not start to boil. It is also important to ensure that the gases that occur naturally in many liquids do not outgas. Such effects can be prevented when system pressure is sufficiently high.

For this reason, the following mounting locations are preferred:


- Downstream from pumps (no risk of partial vacuum)
- At the lowest point in a vertical pipe

**Heating**


Some fluids require suitable measures to avoid loss of heat at the sensor. Heating can be electric, e.g. with heated elements, or by means of hot water or steam pipes made of copper or heating jackets.



Caution!









- Risk of electronics overheating! Make sure that the maximum permissible ambient temperature for the transmitter is not exceeded. Consequently, make sure that the adapter between sensor and transmitter and the connection housing of the remote version always remain free of insulating material. Note that a certain orientation might be required, depending on the fluid temperature →  15.
- When using electrical heat tracing whose heat is regulated using phase control or by pulse packs, it cannot be ruled out that the measured values are influenced by magnetic fields which may occur, (i.e. at values greater than those permitted by the EC standard (Sinus 30 A/m)). In such cases, the sensor must be magnetically shielded.

The secondary containment can be shielded with tin plates or electric sheets without privileged direction (e.g. V330-35A) with the following properties:

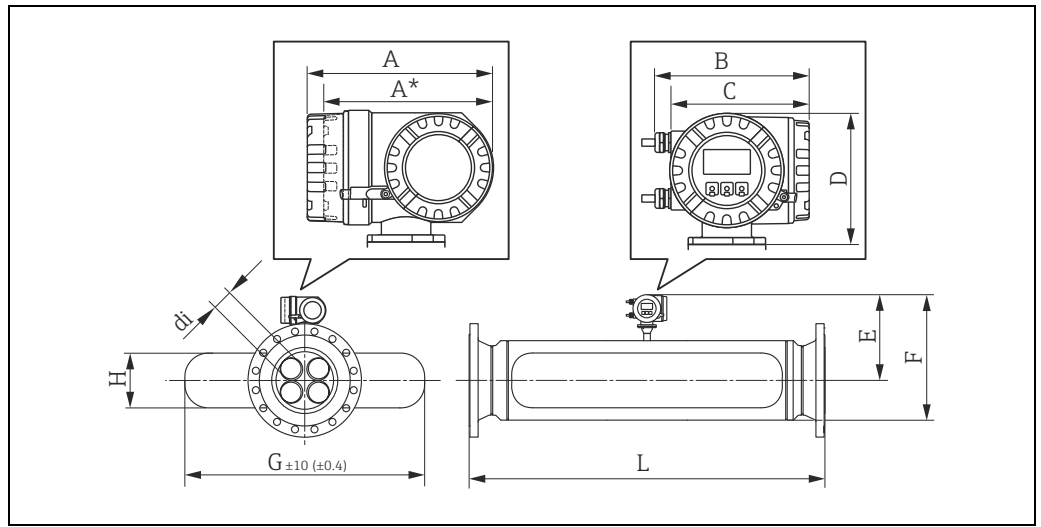
- Relative magnetic permeability  $\mu_r \geq 300$
- Plate thickness  $d \geq 0.35 \text{ mm}$  ( $d \geq 0.01"$ )
- Information on permissible temperature ranges →  16
- Especially under critical climatic conditions it has to be ensured that the temperature difference between environment and measured medium does not exceed 100K. Suitable measures, such as heating or thermal insulation, are to be taken.

## Mechanical construction

### Design, dimensions

<b>Dimensions</b>	
Field housing compact version, powder-coated die-cast aluminum and stainless steel	→  21
Transmitter remote version, connection housing (II2G/Zone 1)	→  22
Transmitter remote version, wall-mount housing (non Ex-zone and II3G/Zone 2)	→  23
Sensor remote version, connection housing	→  24
<b>Process connections in SI units</b>	
Flange connections EN (DIN)	→  25
Flange connections ASME B16.5	→  26
<b>Process connections in US units</b>	
Flange connections ASME B16.5	→  27
<b>Purge connections / secondary containment monitoring</b>	→  28

**Field housing compact version, powder-coated die-cast aluminum and stainless steel**



Dimension unit in mm (in)

A0015429

*Dimensions in SI units and US units for powder-coated die-cast aluminum*

DN	A	A*	B	C	D	E	F	G	H	L	di
350	227	207	187	168	160	445	585	1230	280	<sup>1)</sup>	102,26

All dimensions in [mm]

\* Blind version (without display)

<sup>1)</sup> dependent on respective process connection

DN	A	A*	B	C	D	E	F	G	H	L	di
14"	8.94	8.15	7.68	6.61	6.30	17.52	23.03	48.42	11.02	<sup>1)</sup>	4.03

All dimensions in [mm]

\* Blind version (without display)

<sup>1)</sup> dependent on respective process connection

*Dimensions in SI units and US units for stainless steel (II2G/Zone 1)*

DN	A	A*	B	C	D	E	F	G	H	L	di
350	240	217	206	186	178	448	585	1230	280	<sup>1)</sup>	102,26

All dimensions in [mm]

\* Blind version (without display)

<sup>1)</sup> dependent on respective process connection

DN	A	A*	B	C	D	E	F	G	H	L	di
14"	8.94	8.15	7.68	6.61	6.30	17.52	23.03	48.42	11.02	<sup>1)</sup>	4.03

All dimensions in [mm]

\* Blind version (without display)

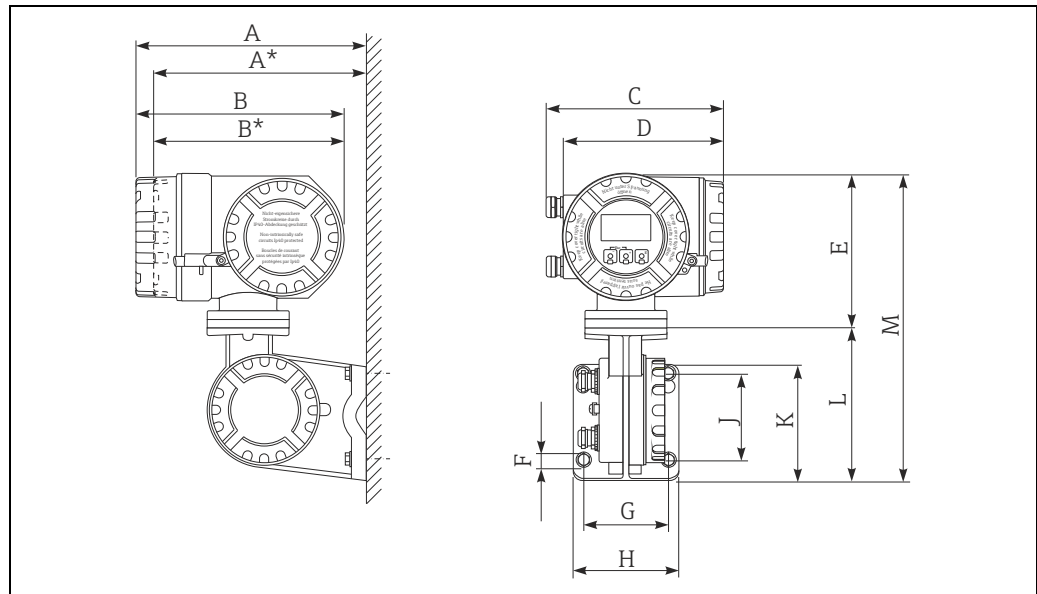
<sup>1)</sup> dependent on respective process connection



Note!

Dimensions for remote version II2G/Zone 1 → 22

## Transmitter remote version, connection housing (II2G/Zone 1)



a0002128

## Dimensions in SI units

A	A*	B	B*	C	D	E	F Ø	G	H	J	K	L	M
265	242	240	217	206	186	178	8.6 (M8)	100	130	100	144	170	348

\* Blind version (without display)

All dimensions in [mm]

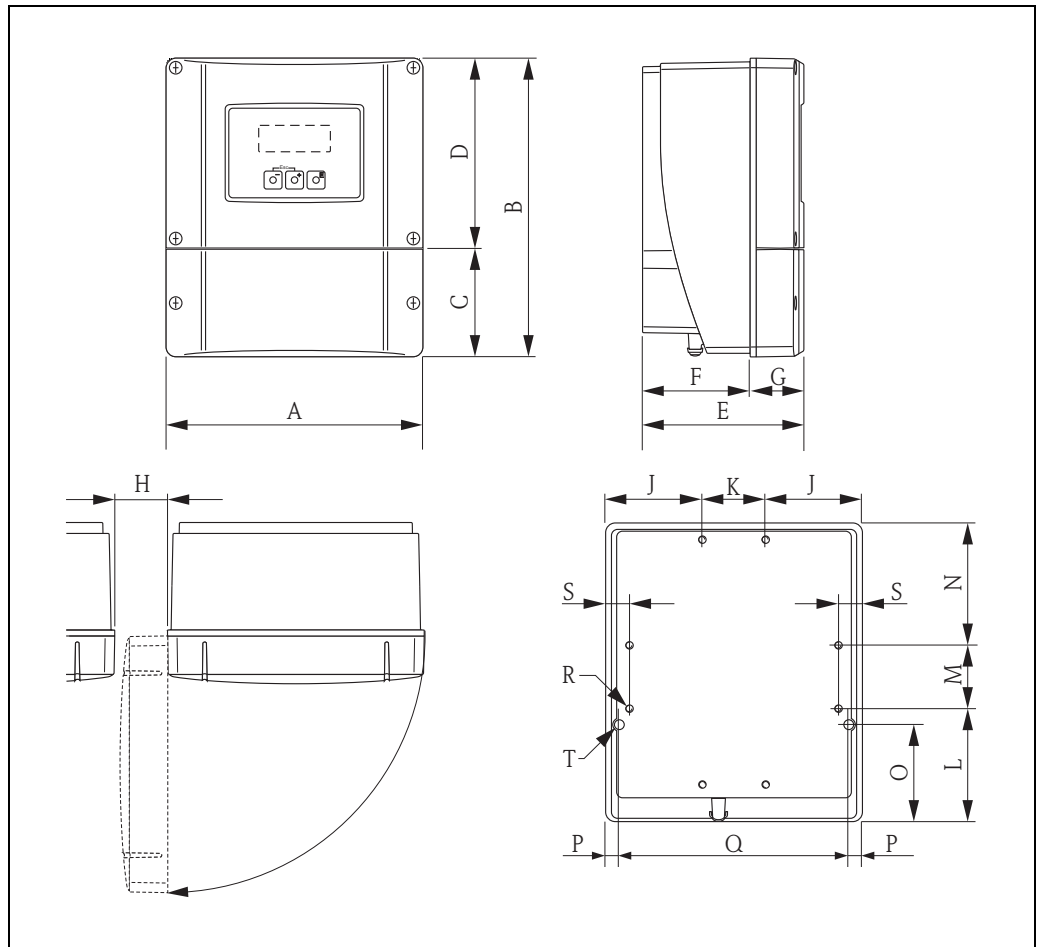
## Dimensions in US units

A	A*	B	B*	C	D	E	F Ø	G	H	J	K	L	M
10.4	9.53	9.45	8.54	8.11	7.32	7.01	0.34 (M8)	3.94	5.12	3.94	5.67	6.69	13.7

\* Blind version (without display)

All dimensions in [in]

**Transmitter remote version, wall-mount housing (non Ex-zone and II3G/Zone 2)**



a0001150

*Dimensions in SI units*

A	B	C	D	E	F	G	H	J	K
215	250	90.5	159.5	135	90	45	>50	81	53
L	M	N	O	P	Q	R	S	T <sup>1)</sup>	
95	53	102	81.5	11.5	192	8 × M5	20	2 × Ø 6.5	

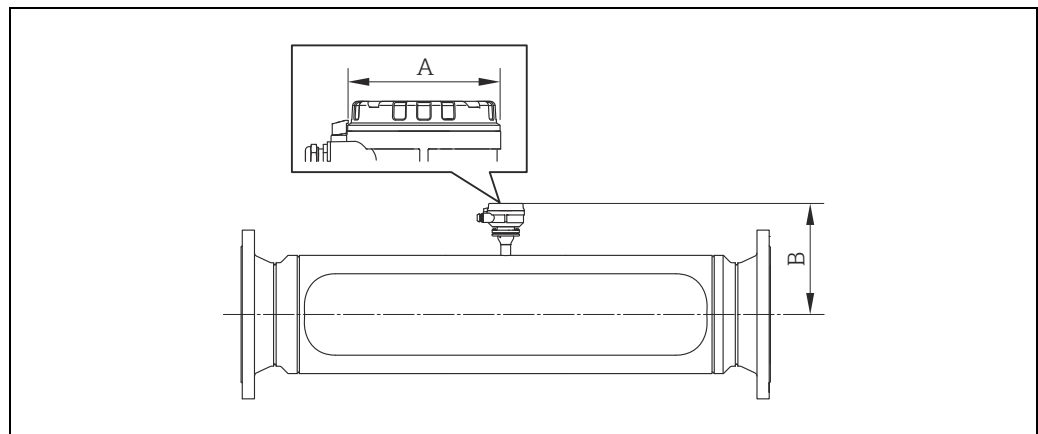
<sup>1)</sup> Fixing bolt for wall assembly: M6 (screw head max. 10.5 mm)  
All dimensions in [mm]

*Dimensions in US units*

A	B	C	D	E	F	G	H	J	K
8.46	9.84	3.56	6.27	5.31	3.54	1.77	>1.97	3.18	2.08
L	M	N	O	P	Q	R	S	T <sup>1)</sup>	
3.74	2.08	4.01	3.20	0.45	7.55	8 × M5	0.79	2 × Ø 0.26	

<sup>1)</sup> Fixing bolt for wall assembly: M6 (screw head max. 0.41 inch)  
All dimensions in [in]

## Sensor remote version, connection housing



A0015436

*Dimensions in SI units*

DN	A	B
350	129	389

All dimensions in [mm]

*Dimensions in US units*

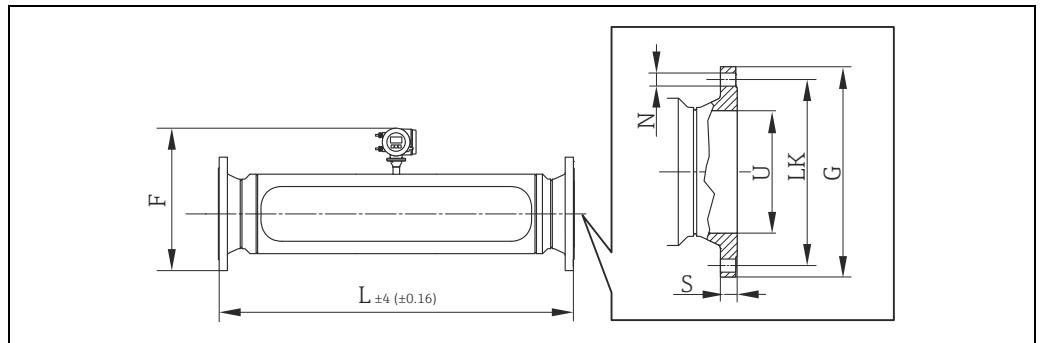
DN	A	B
14"	5.08	15.31

All dimensions in [in]



**Process connections in SI units**

Flange connections EN (DIN), ASME B16.5



Dimension unit in mm (in)

Flange connections EN (DIN)

Flange according to EN 1092-1 (DIN 2501 / DIN 2512N) / PN 10: 1.4404 (F316/F316L)							
Surface roughness (flange): EN 1092-1 Form B1 (DIN 2526 Form C), Ra 3.2 to 12.5 µm							
DN	F	L	G	N	S	LK	U
300	665.8	1707	445	12 x Ø22	26	400	309.7
350	695.8	1707	505	16 x Ø22	26	460	341.4
400	725.8	1716	565	16 x Ø26	26	515	392.2

All dimensions in [mm]

Flange according to EN 1092-1 (DIN 2501 / DIN 2512N) / PN 16: 1.4404 (F316/F316L)							
Surface roughness (flange): EN 1092-1 Form B1 (DIN 2526 Form C), Ra 3.2 to 12.5 µm							
DN	F	L	G	N	S	LK	U
300	673.3	1727	460	12 x Ø26	28	410	309.7
350	703.3	1734	520	16 x Ø26	30	470	339.6
400	733.3	1741	580	16 x Ø30	32	525	390.4

All dimensions in [mm]

Flange according to EN 1092-1 (DIN 2501 / DIN 2512N) / PN 40: 1.4404 (F316/F316L)							
Surface roughness (flange): EN 1092-1 Form B1 (DIN 2526 Form C), Ra 3.2 to 12.5 µm							
DN	F	L	G	N	S	LK	U
300	700.8	1800	515	16 x Ø33	42	450	307.9
350	733.3	1818	580	16 x Ø36	46	510	338.0
400	733.3	1836	660	16 x Ø39	50	585	384.4

All dimensions in [mm]

Flange according to EN 1092-1 (DIN 2501 / DIN 2512N) / PN 63: 1.4404 (F316/F316L)							
Surface roughness (flange): EN 1092-1 Form B1 (DIN 2526 Form C), Ra 3.2 to 12.5 µm							
DN	F	L	G	N	S	LK	U
300	708.3	1844	530	16 x Ø36	52	460	301.9
350	743.3	1863	600	16 x Ø39	56	525	330.6
400	778.3	1880	670	16 x Ø42	60	585	378.0

All dimensions in [mm]

<b>Flange according to EN 1092-1 (DIN 2501 / DIN 2512N) / PN 100: 1.4404 (F316/F316L)</b>							
<b>Surface roughness (flange): EN 1092-1 Form B1 (DIN 2526 Form C), Ra 3.2 to 12.5 µm</b>							
DN	F	L	G	N	S	LK	U
300	735.8	1901	585	16 x Ø42	68	500	295.5
350	770.8	1936	655	16 x Ø48	74	560	323.6
400	800.8	1936	715	16 x Ø48	82.2	620	364.9

All dimensions in [mm]

*Flange connections ASME B16.5*

<b>Flange according to ASME B16.5 / Cl 150: 1.4404 (F316/F316L)</b>								
<b>Surface roughness (flange): Ra 3.2 to 6.3 µm</b>								
DN	F	L	G	N	S	LK	U	
300	12"	684.6	1794	482.6	12 x Ø25.4	32.2	431.8	304.8
350	14"	710.0	1820	533.4	16 x Ø28.4	35.5	476.3	336.5
400	16"	741.8	1820	596.9	16 x Ø28.4	37.0	539.8	387.3

All dimensions in [mm]

<b>Flange according to ASME B16.5 / Cl 300: 1.4404 (F316/F316L)</b>								
<b>Surface roughness (flange): Ra 3.2 to 6.3 µm</b>								
DN	F	L	G	N	S	LK	U	
300	12"	703.7	1826	520.7	16 x Ø31.8	51.3	450.9	304.8
350	14"	735.4	1852	584.2	16 x Ø31.8	54.4	514.4	336.5
400	16"	767.2	1858	647.7	16 x Ø35.1	57.6	571.5	387.3

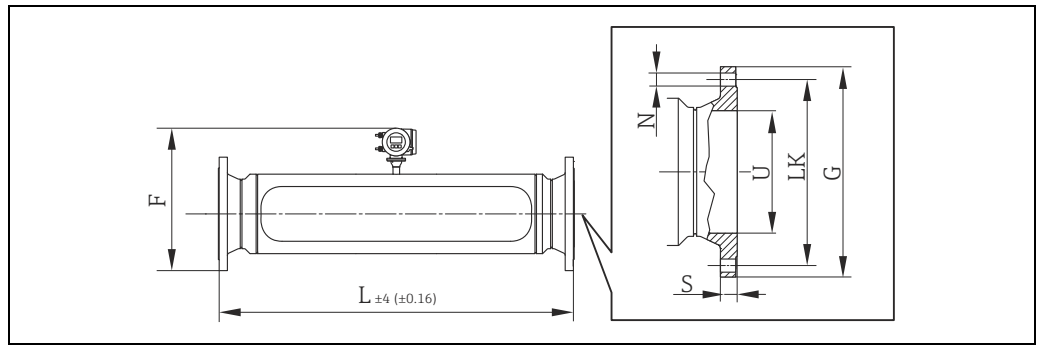
All dimensions in [mm]

<b>Flange according to ASME B16.5 / Cl 600: 1.4404 (F316/F316L)</b>								
<b>Surface roughness (flange): Ra 3.2 to 6.3 µm</b>								
DN	F	L	G	N	S	LK	U	
300	12"	722.7	1875	558.8	20 x Ø35.1	73.7	489.0	288.8
350	14"	745.0	1891	603.3	20 x Ø38.1	77.0	527.1	317.5
400	16"	786.2	1912	685.8	20 x Ø41.1	83.2	603.3	363.3

All dimensions in [mm]

**Process connections in US units**

*Flange connections ASME B16.5*



Dimension unit in mm (in)

A0015431

<b>Flange according to ASME B16.5 / CI 150: 1.4404 (F316/F316L)</b>							
Surface roughness (flange): Ra 3.2 to 6.3 µm							
DN	F	L	G	N	S	LK	U
12"	26.95	70.63	19.00	12 x Ø1.00	1.27	17.00	12.00
14"	27.95	71.65	21.00	16 x Ø1.12	1.40	18.75	13.25
16"	29.20	71.65	23.50	16 x Ø1.12	1.46	21.25	15.25

All dimensions in [in]

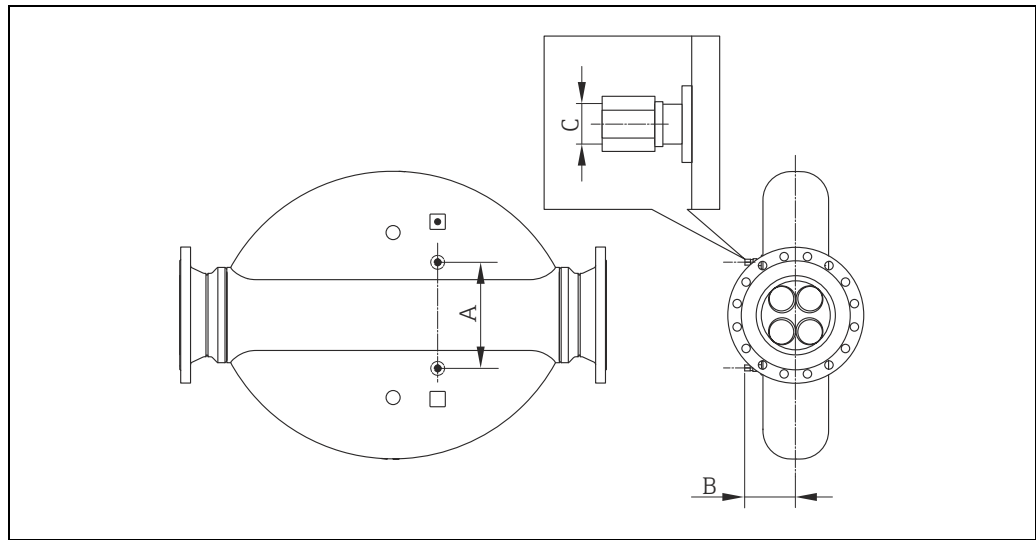
<b>Flange according to ASME B16.5 / CI 300: 1.4404 (F316/F316L)</b>							
Surface roughness (flange): Ra 3.2 to 6.3 µm							
DN	F	L	G	N	S	LK	U
12"	27.70	71.89	20.50	16 x Ø1.25	2.02	17.75	12.00
14"	28.95	72.91	23.00	16 x Ø1.25	2.14	20.25	13.25
16"	30.20	73.15	25.50	16 x Ø1.38	2.27	22.50	15.25

All dimensions in [in]

<b>Flange according to ASME B16.5 / CI 600: 1.4404 (F316/F316L)</b>							
Surface roughness (flange): Ra 3.2 to 6.3 µm							
DN	F	L	G	N	S	LK	U
12"	28.45	73.82	22.00	20 x Ø1.38	2.90	19.25	11.37
14"	29.33	74.45	23.75	20 x Ø1.50	3.03	20.75	12.50
16"	30.95	75.28	27.00	20 x Ø1.62	3.28	23.75	14.30

All dimensions in [in]

**Purge connections / secondary containment monitoring**



A0015430

DN		A		B		C
[mm]	[in]	[mm]	[in]	[mm]	[in]	
350	14	547	21.53	182	7.17	1/2" NPT

**Weight**

- Compact version: see tables below
- Remote version
  - Transmitter: see the tables below
  - Wall-mount housing: 5 kg (11 lbs)

	[kg]	[lbs]
Compact version	555	1224
Compact version Ex d	564	1244
Remote version	553	1219

<sup>1)</sup> with 12" Cl 150 flanges according to ASME B16.5

**Material**

**Transmitter housing**

Compact version

- Stainless steel housing: stainless steel 1.4404/CF3M
- Powder coated die-cast aluminum
- Window material: Glass

Remote version

- Remote field housing: powder coated die-cast aluminum
- Wall-mount housing: powder coated die-cast aluminum
- Window material: Glass

**Sensor housing / containment**

- Acid and alkali-resistant outer surface
- Stainless Steel 1.4404 (316L)

**Connection housing, sensor (remote version)**

- Powder coated die-cast aluminum

**Process connections**

1.4404 (F316/F316L)

**Measuring tubes**

Stainless Steel 1.4404 (316/316L)

---

**Process connections**

- Flanges according to EN 1092-1 (DIN 2501)
- Flanges according to ASME B16.5

## Operability

---

**Local operation**

**Display elements**

- Liquid-crystal display: backlit and four lines with 16 characters per line
- Selectable display of different measured values and status variables
- At ambient temperatures below -20 °C (-4 °F) the readability of the display may be impaired.

**Operating elements**

- Local operation with three optical keys (□ ⊕ ⊞)
  - Application-specific Quick Setup menus for straightforward commissioning
- 

**Language group**

Language groups available for operation in different countries:

- Western Europe and America (WEA):  
English, German, Spanish, Italian, French, Dutch and Portuguese
- Eastern Europe/Scandinavia (EES):  
English, Russian, Polish, Norwegian, Finnish, Swedish and Czech
- South and Eastern Asia (SEA):  
English, Japanese, Indonesian
- China (CN):  
English, Chinese

The language group is changed using the "FieldCare" operating program.

---

**Remote operation**

Remote operation via HART, PROFIBUS DP/PA, FOUNDATION Fieldbus, Modbus RS485

---

## Certificates and approvals

---

**CE mark**

The measuring system is in conformity with the statutory requirements of the EC Directives. Endress+Hauser confirms successful testing of the device by affixing to it the CE mark.

---

**C-Tick symbol**

The measuring system complies with the EMC requirements of the "Australian Communications and Media Authority (ACMA)"

---


**Ex approval**

Information about currently available Ex versions (ATEX, FM, CSA, IECEx, NEPSI) can be supplied by your Endress+Hauser Sales Center on request. All explosion protection data are contained in separate explosion protection documentation which you can order if required.

---

**Functional safety**

SIL -2: accordance IEC 61508/IEC 61511-1 (FDIS)

"4-20 mA" - output according to the following options in the order characteristic for "Input/Output":  
A, B, C, D, E, L, M, R, S, T, U, W, 0, 2, 3, 4, 5, 6  
See also "Terminal assignment" →  7

---

<b>PROFIBUS DP/PA certification</b>	<p>The flow device has successfully passed all the test procedures carried out and is certified and registered by the PNO (PROFIBUS User Organization). The device thus meets all the requirements of the following specifications:</p> <ul style="list-style-type: none"> <li>■ Certified to PROFIBUS Profile Version 3.0 (device certification number: on request)</li> <li>■ The device can also be operated with certified devices of other manufacturers (interoperability)</li> </ul>
<b>Modbus certification</b>	<p>The measuring device meets all the requirements of the Modbus/TCP conformity and integration test and has the "Modbus/TCP Conformance Test Policy, Version 2.0". The measuring device has successfully passed all the test procedures carried out and is certified by the "Modbus/TCP Conformance Test Laboratory" of the University of Michigan.</p>
<b>FOUNDATION Fieldbus certification</b>	<p>The flowmeter has passed all the test procedures implemented and has been certified and registered by the Fieldbus Foundation. The flowmeter thus meets all the requirements of the specifications listed below:</p> <ul style="list-style-type: none"> <li>■ Certified to FOUNDATION Fieldbus specification</li> <li>■ The flowmeter meets all the specifications of the FOUNDATION Fieldbus-H1.</li> <li>■ Interoperability Test Kit (ITK), revision status 5.01 (Certification on request)</li> <li>■ The device can also be operated in conjunction with other-make certified devices.</li> <li>■ Physical Layer Conformance Test of the Fieldbus Foundation</li> </ul>
<b>Pressure equipment directive</b>	<p>The measuring devices can be ordered with or without PED (Pressure Equipment Directive). If a device with PED is required, this must be ordered explicitly.</p> <ul style="list-style-type: none"> <li>■ With the identification PED/G1/III on the sensor nameplate, Endress+Hauser confirms conformity with the "Basic safety requirements" of Appendix I of the Pressure Equipment Directive 97/23/EC.</li> <li>■ Devices with this identification (with PED) are suitable for the following types of fluid: <ul style="list-style-type: none"> <li>- Fluids of Group 1 and 2 with a steam pressure of greater than, or smaller and equal to 0.5 bar (7.3 psi)</li> <li>- Unstable gases</li> </ul> </li> <li>■ Devices without this identification (without PED) are designed and manufactured according to good engineering practice. They correspond to the requirements of Art. 3, Section 3 of the Pressure Equipment Directive 97/23/EC. Their application is illustrated in Diagrams 6 to 9 in Appendix II of the Pressure Equipment Directive 97/23/EC.</li> </ul> <p>Optionally flowmeters in accordance to the guidelines AD 2000 are available on request.</p>
<b>Other standards and guidelines</b>	<ul style="list-style-type: none"> <li>■ EN 60529 Degrees of protection by housing (IP code)</li> <li>■ IEC/EN 60068-2-6 Environmental influences: Test procedure - Test Fc: vibrate (sinusoidal)</li> <li>■ IEC/EN 60068-2-31 Environmental influences: Test procedure - Test Ec: shocks due to rough handling, primarily for devices</li> <li>■ EN 61010-1 Protection Measures for Electrical Equipment for Measurement, Control, Regulation and Laboratory Procedures</li> <li>■ EN 61508 Functional safety of electrical/electronic/programmable electronic safety-related systems</li> <li>■ IEC/EN 61326 "Emission in accordance with Class A requirements". Electromagnetic compatibility (EMC requirements)</li> <li>■ NAMUR NE 21 Electromagnetic compatibility (EMC) of industrial process and laboratory control equipment</li> <li>■ NAMUR NE 43 Standardization of the signal level for the breakdown information of digital transmitters with analog output signal.</li> <li>■ NAMUR NE 53 Software of field devices and signal-processing devices with digital electronics</li> <li>■ NACE MR 103 Materials resistant to sulfide stress cracking in corrosive petroleum refining environments</li> </ul>

- NACE MR 0175/ISO 15156-1  
Materials for use in H2S-containing Environments in Oil and Gas Production.

## Ordering Information

Detailed ordering information is available from the following sources:

- In the Product Configurator on the Endress+Hauser website: [www.endress.com](http://www.endress.com) → Select country → Instruments → Select device → Product page function: Configure this product
- From your Endress+Hauser Sales Center: [www.endress.com/worldwide](http://www.endress.com/worldwide)



Note!

### Product Configurator - the tool for individual product configuration

- Up-to-the-minute configuration data
- Depending on the device: Direct input of measuring point-specific information such as measuring range or operating language
- Automatic verification of exclusion criteria
- Automatic creation of the order code and its breakdown in PDF or Excel output format
- Ability to order directly in the Endress+Hauser Online Shop

## Accessories

Various accessories, which can be ordered with the device or subsequently from Endress+Hauser, are available for the device. Detailed information on the order code in question is available from your local Endress+Hauser sales center or on the product page of the Endress+Hauser website: [www.endress.com](http://www.endress.com).

### Device-specific accessories

#### For the Transmitter

Accessories	Description
Transmitter	Transmitter for replacement or for stock. Use the order code to define the following specifications: <ul style="list-style-type: none"> <li>- Approvals</li> <li>- Degree of protection / version</li> <li>- Cable entries,</li> <li>- Display / power supply / operation</li> <li>- Software</li> <li>- Outputs / inputs</li> </ul>
Inputs/outputs for Proline Promass 83 HART	Conversion kit with appropriate plug-in point modules for converting the input/output configuration in place to date to a new version.
Software packages for Proline Promass 83	Software add-ons on F-Chip, can be ordered individually: <ul style="list-style-type: none"> <li>- Advanced diagnostics</li> <li>- Batching functions</li> <li>- Concentration measurement</li> </ul>
Mounting set for transmitter	Mounting set for wall-mount housing (remote version). Suitable for: <ul style="list-style-type: none"> <li>- Wall mounting</li> <li>- Pipe mounting</li> <li>- Installation in control panel</li> </ul> Mounting set for aluminum field housing: Suitable for pipe mounting (3/4" to 3")

### Communication-specific accessories

Accessories	Description
HART Communicator Field Xpert handheld terminal	Handheld terminal for remote parameterization and for obtaining measured values via the current output HART (4 to 20 mA).  Contact your Endress +Hauser representative for more information.
Commubox FXA195 HART	The Commubox FXA195 connects intrinsically safe smart transmitters with the HART protocol with the USB port of a personal computer. This enables remote operation of the transmitter with operating software (e.g. FieldCare). Power is supplied to the Commubox via the USB port.

### Service-specific accessories

Accessories	Description
Applicator	Software for selecting and sizing Endress+Hauser measuring devices: <ul style="list-style-type: none"> <li>Calculation of all the necessary data for identifying the optimum flowmeter: e.g. nominal diameter, pressure loss, accuracy or process connections</li> <li>Graphic illustration of the calculation results</li> </ul> Administration, documentation and access to all project-related data and parameters over the entire life cycle of a project.  Applicator is available: <ul style="list-style-type: none"> <li>Via the Internet: <a href="https://wapps.endress.com/applicator">https://wapps.endress.com/applicator</a></li> <li>On CD-ROM for local PC installation</li> </ul>
W@M	Life cycle management for your plant. W@M supports you with a wide range of software applications over the entire process: from planning and procurement, to the installation, commissioning and operation of the measuring devices. All the relevant device information, such as the device status, spare parts and device-specific documentation, is available for every device over the entire life cycle. The application already contains the data of your Endress+Hauser device. Endress+Hauser also takes care of maintaining and updating the data records.  W@M is available: <ul style="list-style-type: none"> <li>Via the Internet: <a href="http://www.endress.com/lifecyclemanagement">www.endress.com/lifecyclemanagement</a></li> <li>On CD-ROM for local PC installation</li> </ul>
Fieldcheck	Tester/simulator for testing flowmeters in the field. When used in conjunction with the "FieldCare" software package, test results can be imported into a database, printed and used for official certification. Contact your Endress+Hauser representative for more information.
FieldCare	FieldCare is Endress+Hauser's FDT-based plant asset management tool and allows the configuration and diagnosis of intelligent field devices. By using status information, you also have a simple but effective tool for monitoring devices. The Proline flowmeters are accessed via a service interface or via the service interface FXA193.
FXA193	Service interface from the measuring device to the PC for operation via FieldCare.

### System components

Accessories	Description
Memograph M graphic display recorder	The Memograph M graphic display recorder provides information on all the relevant process variables. Measured values are recorded correctly, limit values are monitored and measuring points analyzed. The data are stored in the 256 MB internal memory and also on a DSD card or USB stick. Memograph M boasts a modular design, intuitive operation and a comprehensive security concept. The ReadWin® 2000 PC software is part of the standard package and is used for configuring, visualizing and archiving the data captured. The mathematics channels which are optionally available enable continuous monitoring of specific power consumption, boiler efficiency and other parameters which are important for efficient energy management.



## Documentation

- Flow measuring technology (FA00005D)
- Operating Instructions/Description of Device Functions
  - Promass 83 HART (BA00059D/BA00060D)
  - Promass 83 FOUNDATION Fieldbus (BA00065D/BA00066D)
  - Promass 83 PROFIBUS DP/PA(BA00063D/BA00064D)
  - Promass 83 Modbus (BA00107D/BA00108D)
- Supplementary documentation on Ex-ratings: ATEX, FM, CSA, IECEx, NEPSI
- Special Documentation
  - Functional safety manual Promass 80, 83 (SD00077D)
  - Data transmission via EtherNet/IP (SD00138D)

## Registered trademarks

HART®

Registered trademark of HART Communication Foundation, Austin, USA

PROFIBUS®

Registered trademark of the PROFIBUS User Organization, Karlsruhe, Germany

FOUNDATION™ Fieldbus

Registered trademark of the Fieldbus FOUNDATION, Austin, USA

Modbus®

Registered trademark of the SCHNEIDER AUTOMATION, INC.

Applicator®, FieldCare®, Fieldcheck®, HistoROM™, F-CHIP®, S-DAT®, T-DAT™

Registered or registration-pending trademarks of the Endress+Hauser Group

[www.addresses.endress.com](http://www.addresses.endress.com)

---