

Technical Information

Liquisys M CCM223/253

Measurement of free chlorine/chlorine dioxide/
total chlorine

Transmitter for chlorine sensors



Application

- Drinking water
- Water treatment
- Cooling water
- Gas scrubbers
- Reverse osmosis
- Food processing
- Swimming pool water

Your benefits

- Field or panel-mounted housing
- Universal application
- pH compensation for free chlorine
- Simple handling
 - Logically arranged menu structure
 - Calibration via CAL button
- Safe operation
 - Overvoltage (lightning) protection
 - Manual contact control and user-defined alarm configuration

The basic unit can be extended with:

- 2 or 4 additional contacts for use as:
 - Limit contacts (also for temperature)
 - P(ID) controller for chlorine and pH
 - Timer for simple rinse processes
 - Complete cleaning with Chemoclean
- Plus package:
 - Manual pH compensation for Cl₂
 - Any current output configuration via table
 - Automatic cleaning start
 - Process monitoring and live check of sensor
- HART or PROFIBUS PA / DP
- 2nd current output for temperature, main measured value or actuating variable
- Current input for flow rate monitoring with controller shut off or for feedforward control

Function and system design

Features of the basic version (EK)	<p>Measurement of free chlorine, chlorine dioxide and total chlorine</p> <p>The sensor is selected from the menu. The temperature is displayed but the reading can also be hidden. The EP version has an alternative feature that allows simultaneous display of the pH and redox measurements.</p> <p>Calibration</p> <p>The CCS140/141 sensors for free chlorine and the CCS240/241 sensors for chlorine dioxide are zero-current-free and therefore require only single-point calibration. This is carried out by entering a DPD reference measured value.</p> <p>The sensor CCS120 is also calibrated by entering a DPD reference measured value. Additionally you can calibrate the zero point of the sensor CCS120 (recommended for measurements below 0.1 mg/l).</p> <p>Configuration</p> <p>Different alarms are required depending on application and operator. Therefore the transmitter permits independent configuration of the alarm contact and error current for each individual error. Unnecessary or undesirable alarms can be suppressed in this manner. Up to four contacts Up to two contacts can be used as limit contacts (also for temperature), to implement a P(ID) controller or for cleaning functions.</p> <p>Direct manual operation of the contacts (bypassing the menu) provides quick access to limit, control or cleaning contacts, permitting speedy correction of deviations.</p> <p>The serial numbers of the instrument and modules and the order code can be called up on the display.</p>
Additional functions of the Plus package (ES)	<p>Current output configuration</p> <p>In order to output wide measuring ranges while still achieving a high resolution in specific ranges, the current output can be configured as required via a table. This permits bilinear or quasi-logarithmic curves, etc.</p> <p>Manual pH compensation for free chlorine</p> <p>Measurement of free chlorine with amperometric sensors is pH-dependent while DPD measurement used for calibration is pH-independent. Manual pH compensation means the instrument can also be used to measure a variable pH value with a slow rate of change.</p> <p>Process Check System (PCS)</p> <p>It comprises two independent safety functions:</p> <ul style="list-style-type: none"> ▪ Errors in applications without control are detected by monitoring the limit between plausible and implausible measured values, i.e. the alarm threshold. ▪ Errors in applications with control are detected by the controller monitor which monitors freely adjustable, maximum permissible time intervals and reference value overshoot or undershoot. <p>Live check</p> <p>The live check issues an alarm when the sensor signal does not change over a defined period of time. This may be caused by blocking, passivation, separation from the process, etc.</p>
Additional functions of version EP	<p>Alternatively measurement of pH or ORP</p> <p>This extension allows additional measurement of pH value or ORP in an instrument. It also allows control of the pH value in the process.</p> <p>Automatic pH compensation means the instrument can also be used to measure a variable pH value which is subject to frequent changes.</p>
Second current output	<p>The second current output is freely configurable for the output of temperature, of the main measured value (free chlorine, chlorine dioxide, total chlorine) or actuating variable.</p>
Current input	<p>The current input of the transmitter allows two different applications: controller shut-down in case of lower flow rate violation or total failure in the main flow as well as feedforward control. Both functions are also combinable.</p>

Measuring system

A complete measuring system comprises:

Version 1 (free chlorine and chlorine dioxide)

- The transmitter Liquisys M CCM223 or CCM253
- A membrane covered sensor CCS140/141 for Cl_2 or CCS240/241 for ClO_2 or an open sensor 963 for Cl_2
- A flow assembly CCA250 (not necessary for sensor 963)

and optional:

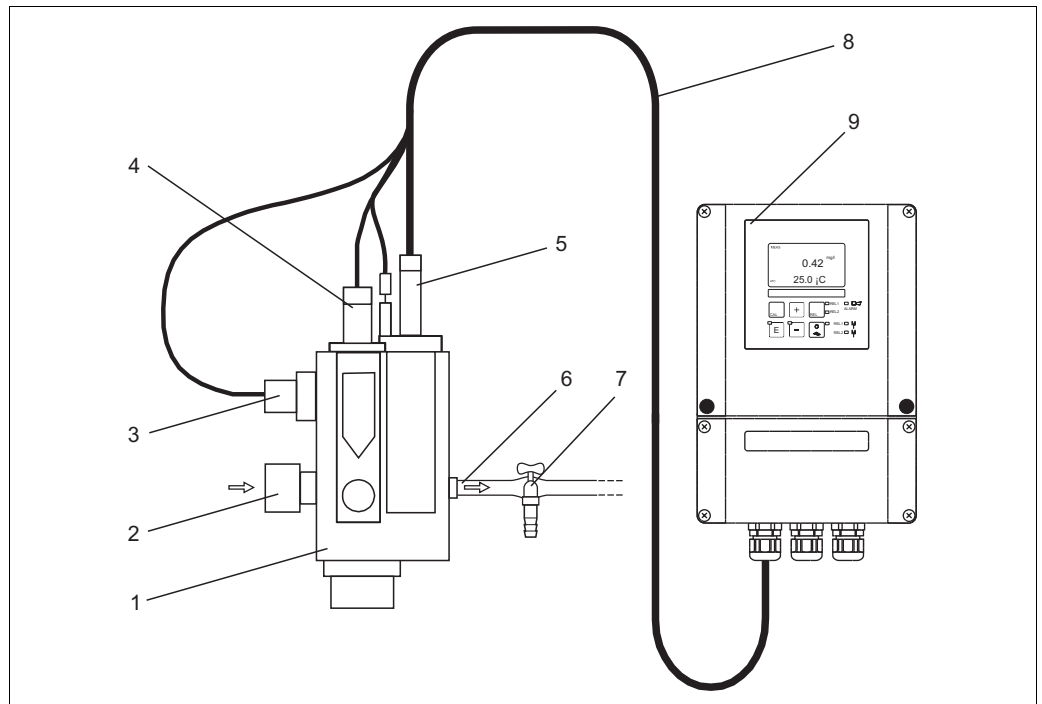
- A pH or ORP sensor
- An INS proximity switch for flow monitoring (omitted with 963 sensor)
- CMK extension cable for chlorine measurement if required
- CYK71 extension cable for pH/ORP measurement if required
- MK extension cable for INS proximity switch if required
- VBC junction box

Version 2 (total chlorine)

- The transmitter Liquisys M CCM223 or CCM253
- A sensor for total chlorine CCS120
- A flow assembly CCA250 or immersion assembly CYA611
- A special measuring cable CPK9, PM wire internally

and optional:

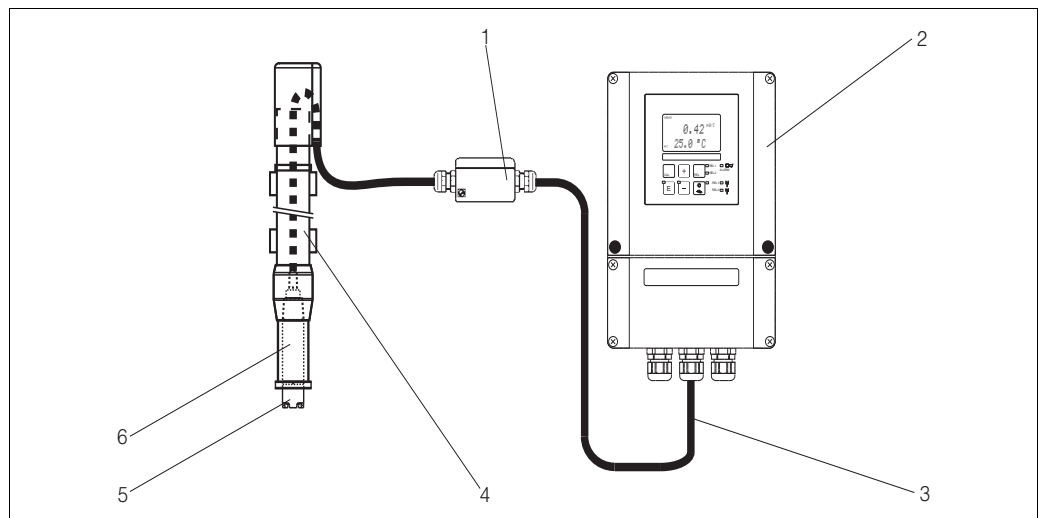
- A pH or ORP sensor
- An INS proximity switch for flow monitoring (omitted with immersion assembly)
- CMK extension cable (PM wire internally) for chlorine measurement if required
- CYK71 extension cable for pH/ORP measurement if required
- MK extension cable for INS proximity switch if required
- VBC junction box



Measuring system with flow assembly (example)

- | | | | |
|---|--------------------------------------|---|-----------------|
| 1 | Flow assembly CCA250 | 6 | Medium outlet |
| 2 | Medium inlet | 7 | Sampling tap |
| 3 | Proximity switch for flow monitoring | 8 | Measuring cable |
| 4 | Mounting place for pH/redox sensor | 9 | Transmitter |
| 5 | Chlorine sensor | | |

a0001691



a0001791

Measuring system with immersion assembly (example)

1 Junction box

2 Transmitter

3 Measuring cable

4 Immersion assembly CYA611

5 Chlorine sensor CCS120

6 Assembly adapter G1

Input

Measured variables	Total chlorine, free chlorine, chlorine dioxide, temperature pH or ORP (optional)	
Cl₂/ClO₂ measurement	Display and measuring range	0 to 5 / 0 to 20 mg/l
	Application measuring range	
	CCS120	0.1 to 10 mg/l
	CCS140/240	0.05 to 20 mg/l
	CCS141/241	0.01 to 5 mg/l
	963	0.05 to 5 mg/l
	Temperature compensation range	
	CCS140/240/141/241 and 963	2 to 45 °C (36 to 113 °F)
	CCS120	5 to 45 °C (41 to 113 °F)
	pH compensation range	pH 4 to 9
	for free chlorine	
	Calibration range	pH 4 to 8
	Reference point	25 °C (77 °F) / pH 7.2
	for nominal slope	
Cable specification	Chlorine/chlorine dioxide sensors CCS140/141/240/241:	max. 30 m (98 ft) with CMK cable
	Chlorine sensor 963:	max. 30 m (98 ft) with MK cable
	Total chlorine sensor CCS120:	max. 15 m (49 ft) with CPK9 cable
	pH/ORP measurement:	max. 50 m (164 ft) with CYK71 cable
Cl₂/ClO₂ signal input	CCS120/140/141/240/241:	0 to 5000 nA
	Sensor 963:	-100 to 500 µA
Temperature measurement	Temperature sensor with CCS120/140/141/240/241:	NTC, 10 kΩ at 25 °C (77 °F)
	Display range	0 to 50 °C (32 to 122 °F)
pH and ORP measurement	pH measuring range:	pH 3.5 to 9.5
	ORP measuring range:	0 to 1500 mV
	Zero point adjustment:	±100 mV
	Slope adjustment:	38 to 65 mV/pH
Binary inputs	Voltage:	10 ... 50 V
	Power consumption:	max. 10 mA
Current input	4 to 20 mA, galvanically separated	
	Load: 260 Ω at 20 mA (voltage drop 5.2 V)	

Output

Output signal 0/4 to 20 mA, galvanically separated, active

HART	
Signal coding	Frequency Shift Keying (FSK) + 0.5 mA via current output signal
Data transfer rate	1200 Baud
Galvanic isolation	yes

PROFIBUS PA	
Signal coding	Manchester Bus Powered (MBP)
Data transfer rate	31.25 kBit/s, voltage mode
Galvanic isolation	yes (IO-Module)

PROFIBUS DP	
Signal coding	RS485
Data transfer rate	9.6 kBd, 19.2 kBd, 93.75 kBd, 187.5 kBd, 500 kBd, 1.5 MBd
Galvanic isolation	yes (IO-Module)

Signal on alarm 2.4 or 22 mA in case of an error

Load maximum 500 Ω

Transmission range

Cl ₂ /ClO ₂ :	0 to 10 mg/l for CCS120 0 to 20 mg/l for CCS140/240 0 to 5 mg/l for CCS141/241 and 963
Temperature:	0 to 50 °C (32 to 122 °F)
pH:	pH 4 to 9
ORP:	0 to 1500 mV

Resolution max. 700 digits/mA

Isolation voltage max. 350 V_{RMS}/500 V DC

Overvoltage protection according to EN 61000-4-5

Auxiliary voltage output

Output voltage:	15 V ± 0.6
Output current:	max. 10 mA

Contact outputs

Switching current with ohmic load (cos φ = 1):	max. 2 A
Switching current with inductive load (cos φ = 0.4):	max. 2 A
Switching voltage:	max. 250 V AC, 30 V DC
Switching power with ohmic load (cos φ = 1):	max. 500 VA AC, 60 W DC
Switching power with inductive load (cos φ = 0.4):	max. 500 VA AC, 60 W DC

Limit contactor Pickup/dropout delay: 0 to 2000 s

Controller	Function (adjustable):	Pulse-length/pulse-frequency controller, three-point step controller for Cl ₂ /ClO ₂
	Controller response:	P, PI, PD, PID, basic load dosing
	Controller gain K _p :	0.01 to 20.00
	Integral action time T _n :	0.0 to 999.9 min
	Derivative action time T _v :	0.0 to 999.9 min
	Period length of pulse-length controller:	0.5 to 999.9 s
	Frequency for pulse-frequency controller:	60 to 180 min ⁻¹
	Basic load:	0 to 40% of max. set value
	Motor run time for three-point step controller:	10 to 999 s
	Neutral zone for three-point step controller:	0 to 40 %

Alarm	Function (switchable):	Latching/momentary contact
	Alarm threshold adjustment range:	Cl ₂ /ClO ₂ /pH/ORP/temperature: total measuring range
	Alarm delay:	0 to 2000 s (min)
	Monitoring time lower limit violation:	0 to 2000 min
	Monitoring time upper limit violation:	0 to 2000 min

Protocol specific data

HART	
Manufacturer ID	11 _h
Device type code	0096 _h
Transmitter specific revision	0002 _h
HART specification	5.0
DD files	www.products.endress.com/hart
Load HART	250 Ω
Device variables	None (dynamic variables PV, SV, only)
Features supported	-

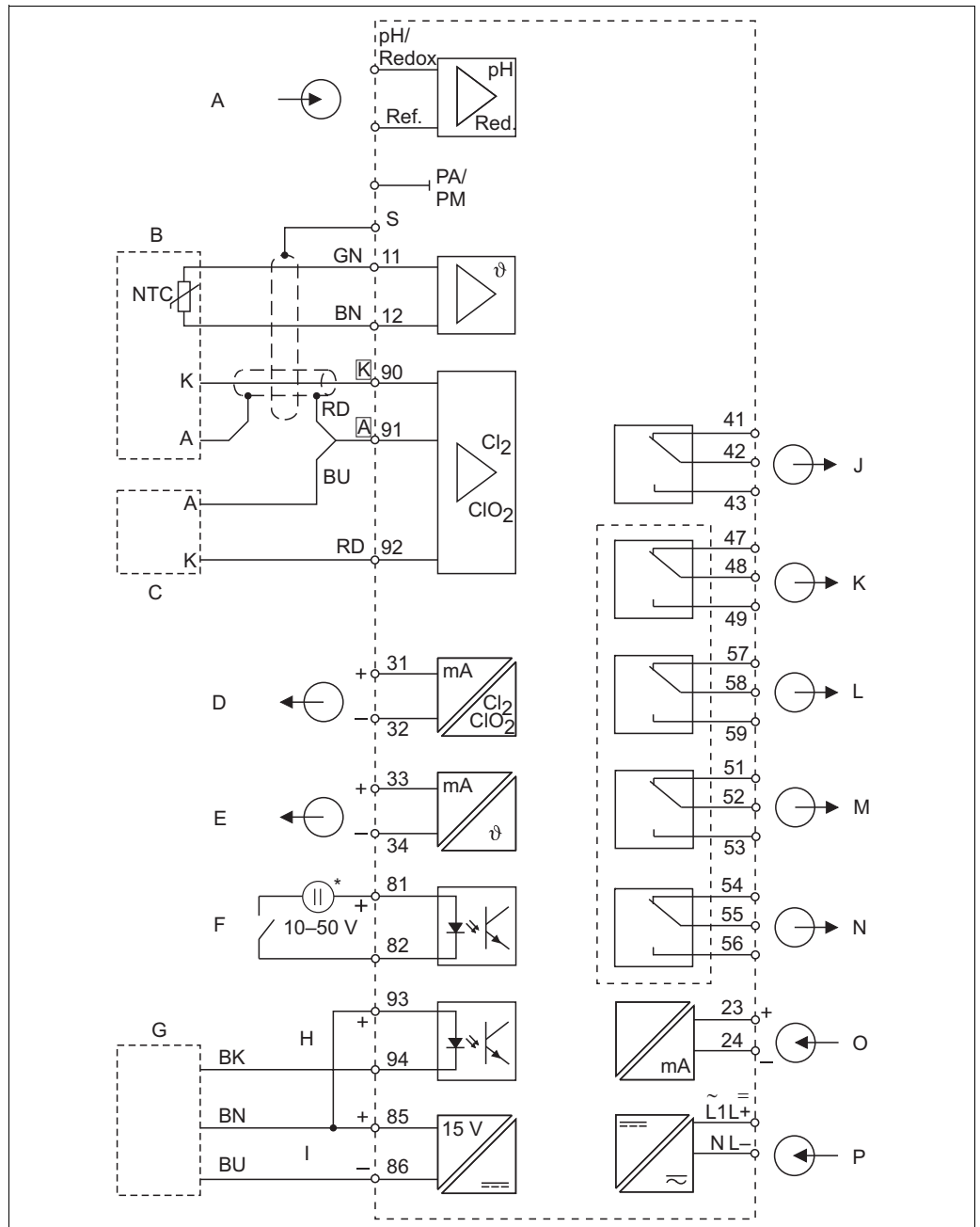
PROFIBUS PA	
Manufacturer ID	11 _h
Ident number	1519 _h
Device revision	11 _h
Profile version	2.0
GSD files	www.products.endress.com/profibus
GSD file version	
Output values	Main value, temperature value
Input values	Display value of PLC
Features supported	Device locking: The device can be locked by hardware or software.

PROFIBUS DP	
Manufacturer ID	11 _h
Ident number	151D _h
Profile version	2.0
GSD files	www.products.endress.com/profibus
GSD file version	
Output values	Main value, temperature value
Input values	Display value of PLC
Features supported	Device locking: The device can be locked by hardware or software.

Power supply

Electrical connection variant 1

The wiring diagram shows the connections of the transmitter with all options



Electrical connection of the transmitter (version 1)

A	pH / ORP input (optional)	I	Aux. voltage output
B	Sensor CCS140/141/240/241	J	Alarm (current-free contact position)
C	Sensor 963 (alternative)	K	Relay 1 (current-free contact position)
D	Signal output 1 chlorine / chlorine dioxide	L	Relay 2 (current-free contact position)
E	Signal output 2 temperature, pH or ORP	M	Relay 3 (current-free contact position)
F	Binary input 1 (hold / cleaning)	N	Relay 4 (current-free contact position)
G	Proximity switch INS	O	Current input 4 to 20 mA
H	Binary input 2	P	Power supply
*	Aux. voltage output terminal 85/86 applicable		

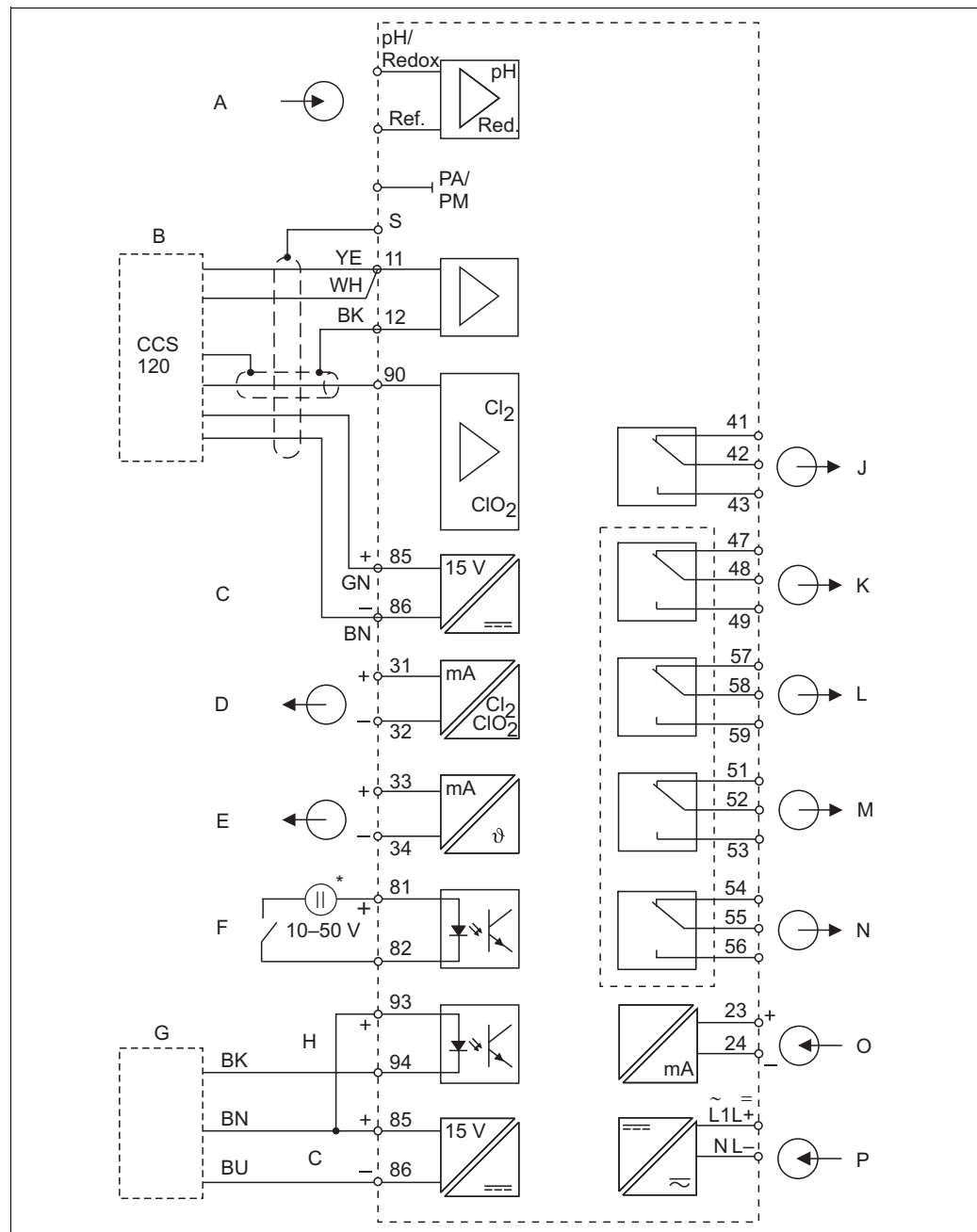


The device is approved for protection class II and is generally operated without protective ground connection.

The circuits "E" and "I" are not galvanically separated from each other.

Electrical connection variant 2 (total chlorine)

The wiring diagram shows the connections of the transmitter with all options



a0001904

Electrical connection of the transmitter (version 2)

A	pH / ORP input (optional)	J	Alarm (current-free contact position)
B	Sensor CCS120	K	Relay 1 (current-free contact position)
C	Aux. voltage output	L	Relay 2 (current-free contact position)
D	Signal output 1 total chlorine	M	Relay 3 (current-free contact position)
E	Signal output 2 temperature, pH or ORP	N	Relay 4 (current-free contact position)
F	Binary input 1 (hold / cleaning)	O	Current input 4 to 20 mA
G	Proximity switch INS	P	Power supply
H	Binary input 2		
*	Aux. voltage output terminal 85/86 applicable		



The device is approved for protection class II and is generally operated without protective ground connection.

The circuits "E" and "C" are not galvanically separated from each other.

Sensor connection

Type of sensor	Cable	Extension
Chlorine / chlorine dioxide sensors CCS140 / 141 / 240 / 241	3 m (9.8 ft) CMK, fixed cable	VBC junction box + CMK
Chlorine sensor 963	–	VBC junction box + MK
Temperature sensor for sensor 963	CPK1	
Total chlorine sensor CCS120	CPK9-N*A1B	VBC junction box + CYK71
pH or ORP sensor without temperature sensor	CPK1 for sensors with GSA plug-in head CPK9 for sensors with ESA plug-in head	VBC junction box + CYK71

Supply voltage

Depending on ordered version:
100/115/230 V AC +10/-15 %, 48 to 62 Hz
24 V AC/DC +20/-15 %

Fieldbus connection

HART	
Supply voltage	n/a, active current outputs
Integrated reverse voltage protection	n/a, active current outputs

PROFIBUS PA	
Supply voltage	9 V to 32 V, max. 35 V
Polarity sensitive	no
FISCO/FNICO compliant acc. to IEC 60079-27	no

PROFIBUS DP	
Supply voltage	9 V to 32 V, max. 35 V
Polarity sensitive	n/a
FISCO/FNICO compliant acc. to IEC 60079-27	no

Power consumption

max. 7.5 VA

Mains protection

Fine-wire fuse, medium-slow blow 250 V/3.15 A

Circuit breaker**NOTICE****The device does not have a power switch**

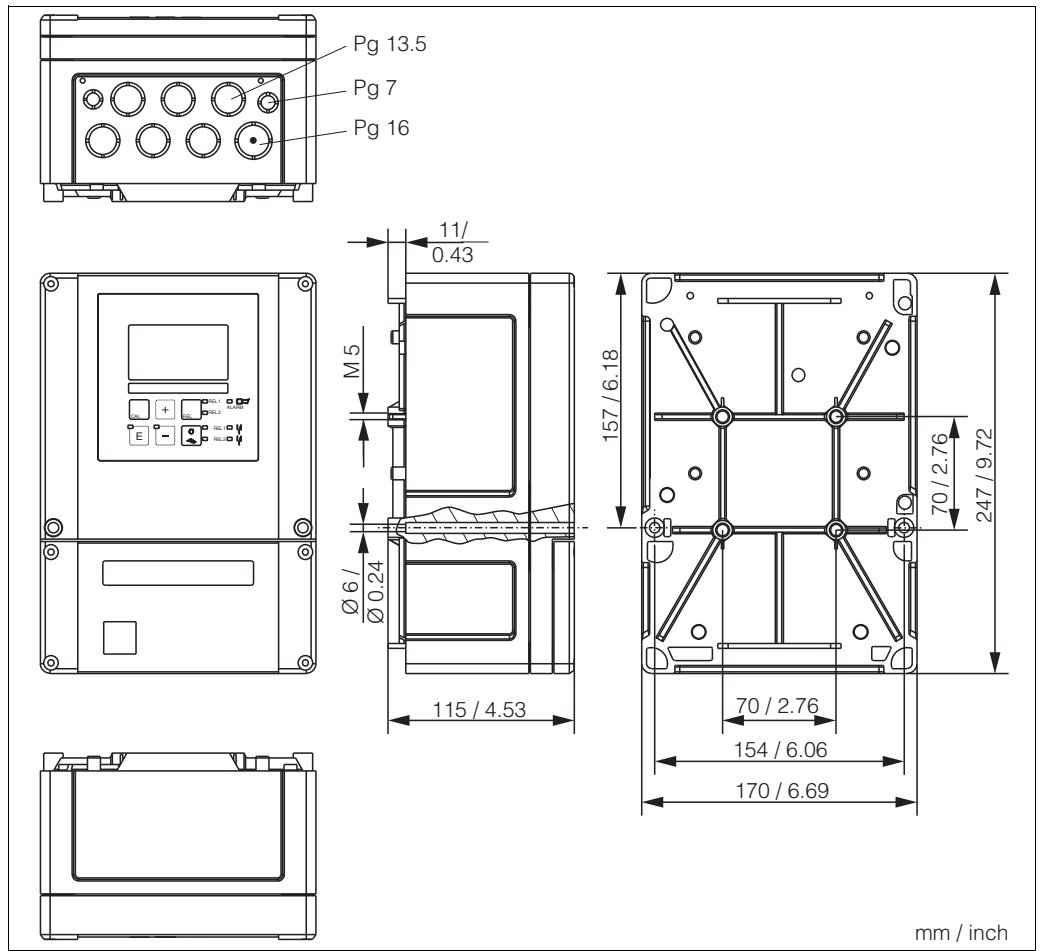
- ▶ You must provide a protected circuit breaker in the vicinity of the device.
- ▶ This must be a switch or a power-circuit breaker and you must label it as the circuit breaker for the device.
- ▶ At the supply point, the power supply for the 24 V versions must be isolated from dangerous live cables by double or reinforced insulation.

Performance characteristics

Cl₂/ClO₂ measurement	Measured value resolution	
	CCS120/140/240 and 963:	0.01 mg/l
	CCS141/241:	0.001 mg/l
	Measurement deviation ¹ display (pH, T = const.)	max. 0.5 % of measured value ±4 digits
	CCS140/141/240/241:	max. 1 % of measured value ±4 digits
	CCS120 and 963:	
Repeatability:	max. 0.2 % of measuring range	
Measurement deviation ¹ of signal output	max. 0.75 % of current output range	
Temperature measurement	Measured value resolution:	0.1 °C
	Measurement deviation ¹ of display:	±0.3 K
	Measurement deviation ¹ signal output:	max. 1.25 % of current output range
pH and ORP measurement	pH measured value resolution:	pH 0.01
	ORP measured value resolution:	1 mV
	Measurement deviation ¹ of display pH:	pH 0.03
	Measurement deviation ¹ of display ORP:	3 mV
	Measurement deviation ¹ of pH signal output:	max. 1.25 % of current output range
	Measurement deviation ¹ of ORP signal output:	max. 1.25 % of current output range
1) acc. to IEC 60746-1, at nominal operating conditions		

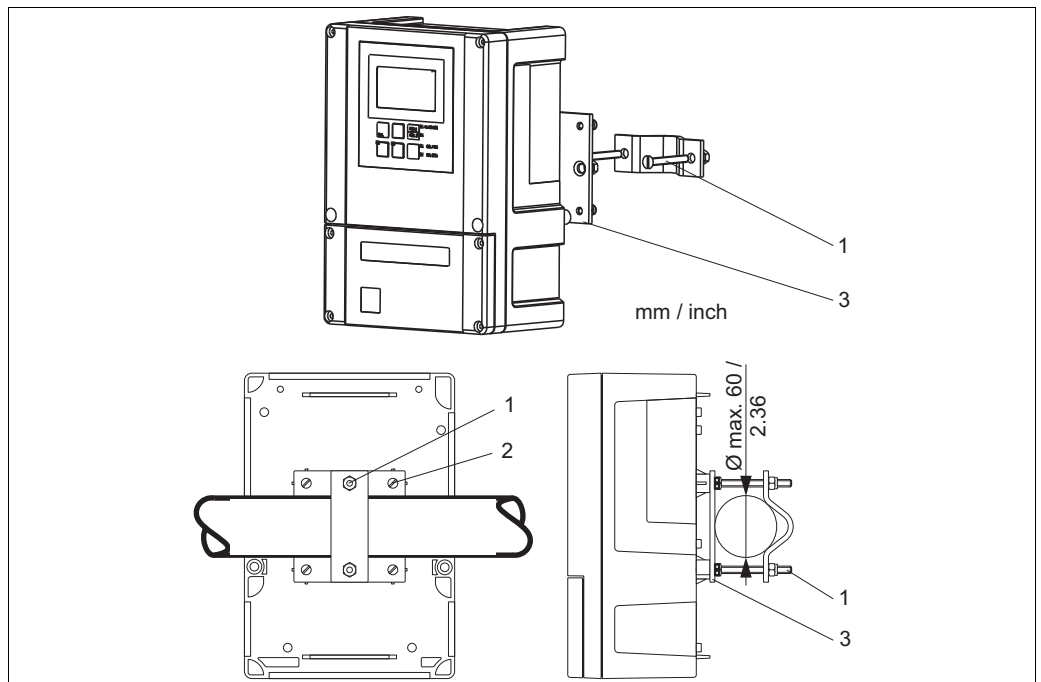
Installation

Installation instructions



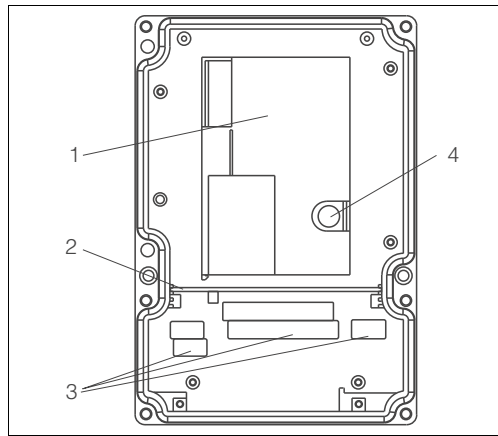
C07-CxM253xx-06-06-00-en-001.EPS

Field instrument



a0005737

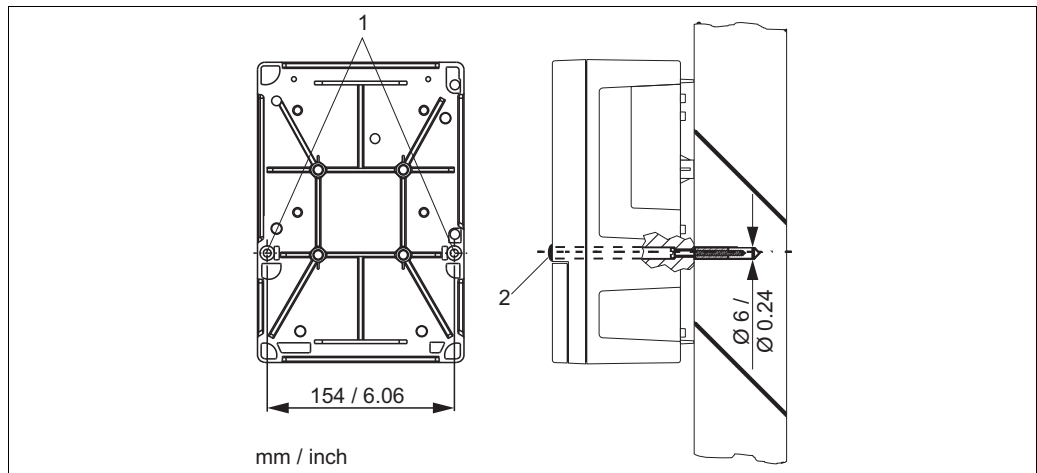
Mounting on pipes



- 1 Removable electronics box
- 2 Partition plate
- 3 Terminal blocks
- 4 Fuse

C07-CxM253xx-11-06-00-xx-001.EPS

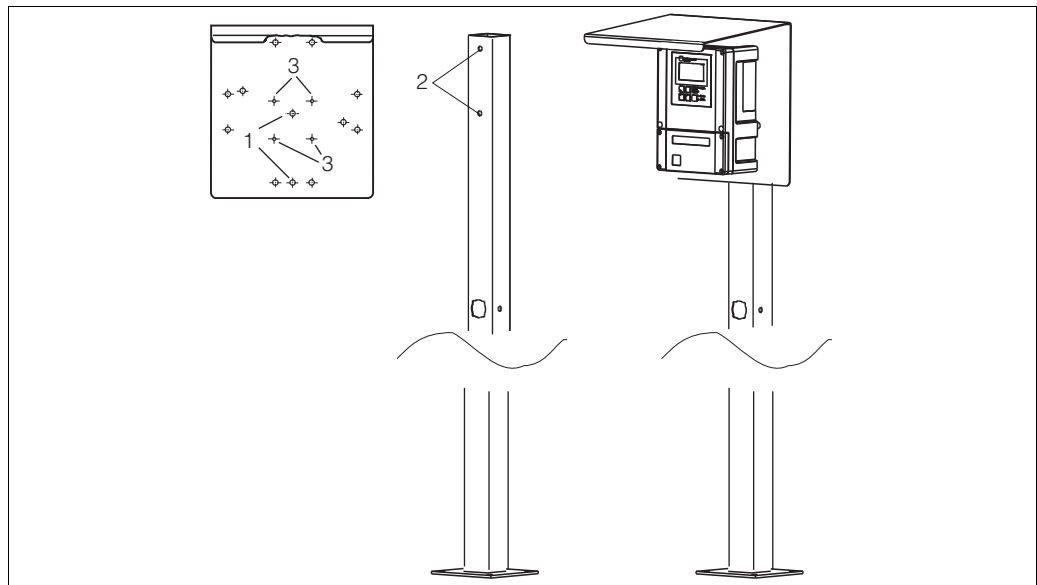
Inside of field instrument



a0005736

Wall mounting of the field instrument

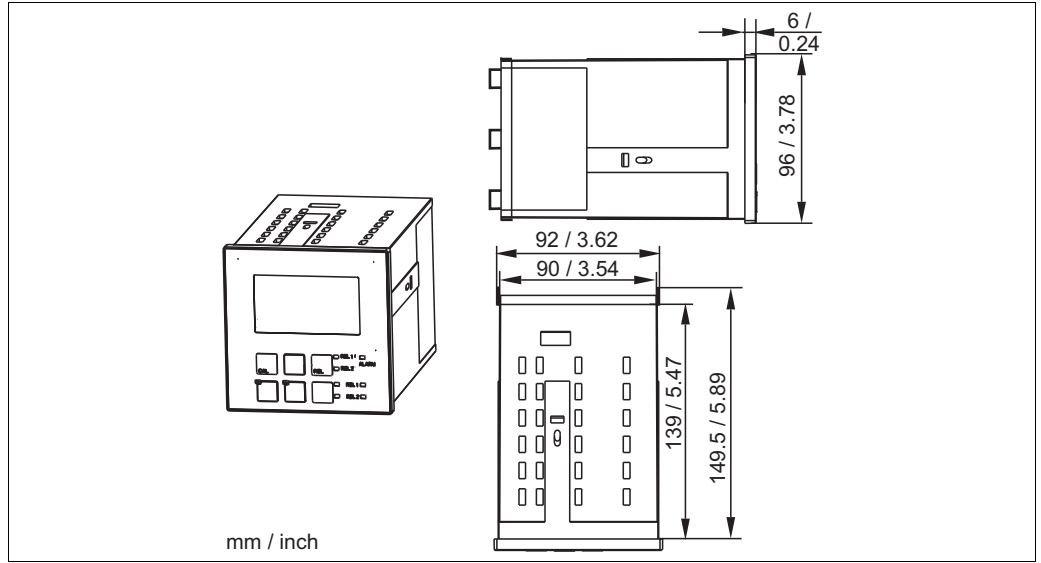
- 1 Mounting holes
- 2 Protecting cap



C07-CxM253xx-11-06-00-xx-004.EPS

Mounting of the field instrument with mounting post and weather protection cover

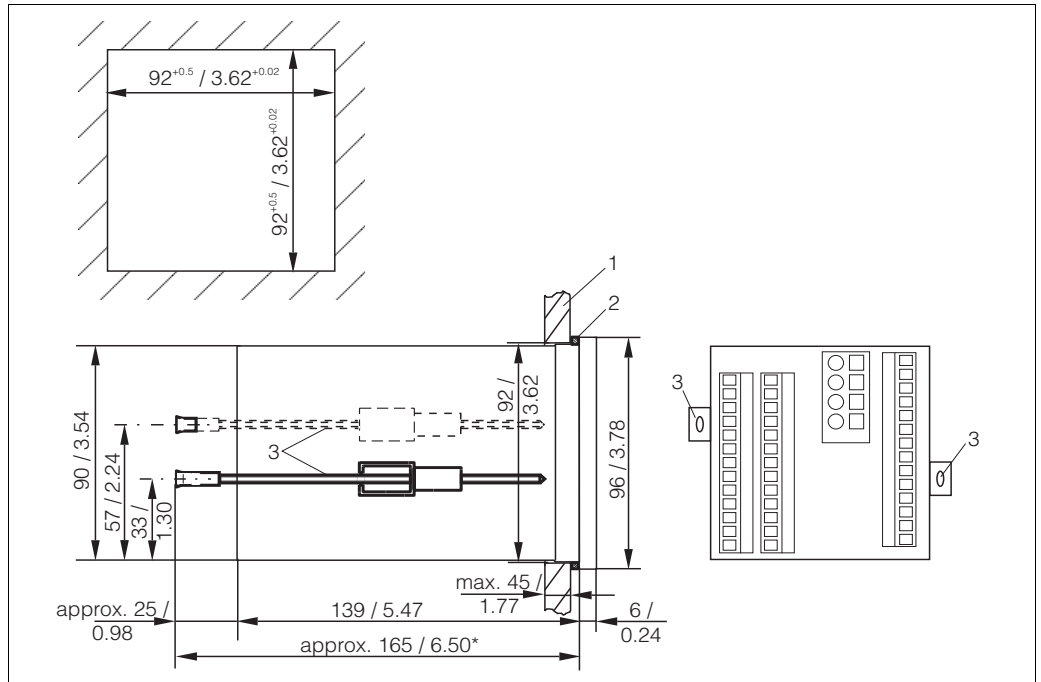
- 1-3 Mounting holes



mm / inch

a0005735

Dimensions panel-mounted instrument



C07-CxM223xx-11-06-00-en-001.EPS

Installation of the panel-mounted instrument

- 1 Wall of control cabinet
- 2 Gasket
- 3 Tensioning screws
- * Required installation depth

Environment

Ambient temperature	-10 to +55 °C (+14 to +131 °F)	
Storage temperature	-25 to +65 °C (-13 to +149 °F)	
Electromagnetic compatibility	Interference emission and interference immunity as per EN 61326-1:2006, EN 61326-2-3:2006	
Ingress protection	Panel mounted instrument: Field instrument:	IP 54 (front), IP 30 (housing) IP 65 / tightness acc. to NEMA 4X
Electrical safety	according EN/IEC 61010-1:2001, Installation Category II, for use up to 2000 m above sea level	
CSA	Apparatus with CSA General Purpose Approval are certified for indoor use.	
Relative humidity	10 to 95%, non-condensing	
Pollution degree	The product is suitable for pollution degree 2.	

Mechanical construction

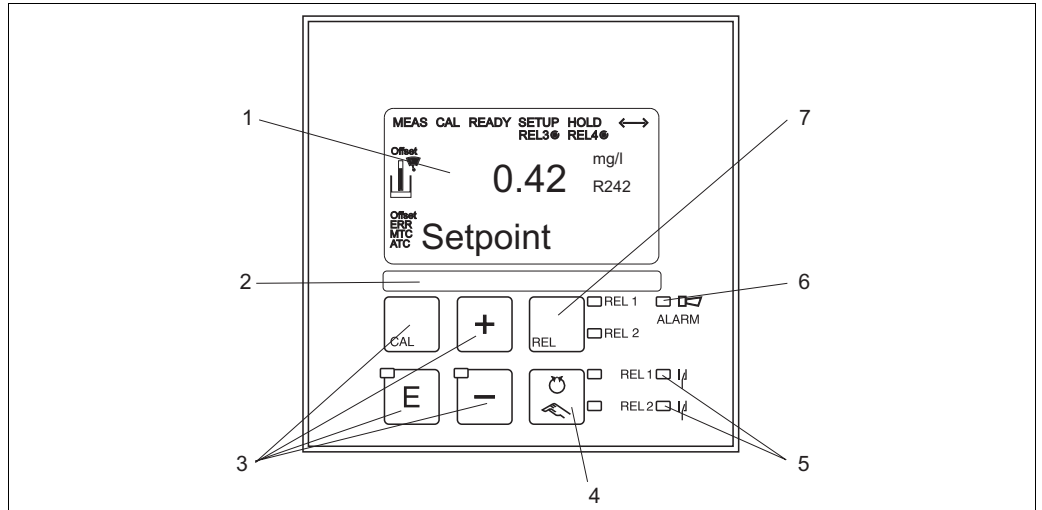
Dimensions	Panel-mounted instrument: Field instrument:	96 x 96 x 145 mm (3.78 x 3.78 x 5.71 inches) Installation depth: approx. 165 mm (6.50") 247 x 170 x 115 mm (9.72 x 6.69 x 4.53 inches)
Weight	Panel-mounted instrument: Field instrument:	max. 0.7 kg (1.5 lb) max. 2.3 kg (5.1 lb)
Material	Housing of panel-mounted instrument: Field housing: Front membrane:	Polycarbonate ABS PC Fr Polyester, UV-resistant
Terminals	Cross section	max. 2.5 mm ² (14 AWG)

Operability

Operating concept

All instrument control functions are arranged in a logical menu structure. Following access code entry, the individual parameters can be easily selected and modified as needed.

Display elements



Operating elements

- 1 LC display for displaying the measured values and configuration data
- 2 Field for user labelling
- 3 4 main operating keys for calibration and device configuration
- 4 Changeover switch for automatic/manual mode of the relays
- 5 LEDs for limit contactor relay (switch status)
- 6 LED for alarm function
- 7 Display of the active contact and key for relay changeover in manual mode

Certificates and approvals

CE symbol

Declaration of conformity

The product meets the legal requirements of the harmonized European standards. The manufacturer confirms compliance with the standards by affixing the CE symbol.

CSA General Purpose

CSA General Purpose

The products listed below are eligible to bear the CSA Mark shown with adjacent indicators "C" and "US":

Version	Approval
CCM253-..2... CCM253-..3... CCM253-..7...	CSA Mark for Canada and USA
CCM223-..2... CCM223-..3... CCM223-..7...	CSA Mark for Canada and USA

Ordering information

Order code

Enter the following address into your browser to access the relevant product page:

www.products.endress.com/ccm223 or

www.products.endress.com/ccm253

1. You can choose from the following options on the product page located on the right:

Product page function
:: Add to product list
:: Price & order information
:: Compare this product
:: Configure this product

2. Click "Configure this product".
3. The configurator opens in a separate window. You can now configure your device and receive the complete order code that applies for the device.
4. Afterwards, export the order code as a PDF or Excel file. To do so, click the appropriate button at the top of the page.

Product structure

Input, software version	
EK	Chlorine/chlorine dioxide/total chlorine measurement, basic version
ES	Chlorine/chlorine dioxide/total chlorine measurement, with additional functions (Plus package)
EP	Chlorine/chlorine dioxide/total chlorine measurement, with additional functions (Plus package) with additional pH or ORP measurement (switchable)
Power supply; approval	
0	230 V AC
1	115 V AC
2	230 V AC; CSA Gen. Purp.
3	115 V AC; CSA Gen. Purp.
5	100 V AC
7	24 V AC/DC; CSA Gen. Purp.
8	24 V AC/DC
Output	
0	1 x 20 mA, primary value
1	2 x 20 mA, primary value + secondary value
3	PROFIBUS PA
4	PROFIBUS DP
5	1 x 20 mA, primary value, HART
6	2 x 20 mA, primary value, HART + secondary value
Additional contacts	
05	not selected
10	2 relays (limit/P(ID)/timer)
15	4 relays (limit/P(ID)/Chemoclean) (not with PROFIBUS DP)
16	4 relays (limit/P(ID)/timer) (not with PROFIBUS DP)
20	1 x 4 to 20 mA input + 2 relays (limit/P(ID)/timer)
25	1 x 4 to 20 mA input + 4 relays (limit/P(ID)/Chemoclean) (not with PROFIBUS DP)
26	1 x 4 to 20 mA input + 4 relays (limit/P(ID)/timer) (not with PROFIBUS DP)
Marking	
1	Tagging (Tag), see additional spec.
CCM253-	
CCM223-	
	complete order code

Additional functions of the Plus package**Version ES**

Compared to the basic EK version, this version is extended by the Plus package:

- Manual pH compensation for free chlorine, fields B2 and B3
- Current output table, fields O33x
- Sensor and process monitoring, function group P
- Automatic start of cleaning function, field F8.

Version EP

This version includes the functions of the ES version and in addition:

- Optional pH or ORP measurement, field B1
- Automatic pH compensation for free chlorine
- Sensor and process monitoring even for pH or ORP, fields P12x
- Limit contact for pH or ORP, fields R22x
- pH value control, fields R25x.

Scope of delivery

The delivery of the field instrument includes:

- 1 transmitter CCM253
- 1 plug-in screw terminal
- 1 cable gland Pg 7
- 1 cable gland Pg 16 reduced
- 2 cable glands Pg 13.5
- 1 Operating Instructions BA00214C/07/EN
- 1 Operating Instructions
 - versions with HART communication:
 - 1 Operating Instructions Field Communication with HART, BA00208C/07/EN
 - versions with PROFIBUS communication:
 - 1 Operating Instructions Field Communication with PROFIBUS PA/DP, BA00209C/07/EN

The delivery of the panel-mounted instrument includes:

- 1 transmitter CCM223
- 1 set of plug-in screw terminals
- 2 tensioning screws
- 1 Operating Instructions
- 1 Operating Instructions BA00214C/07/EN
- versions with HART communication:
 - 1 Operating Instructions Field Communication with HART, BA00208C/07/EN
- versions with PROFIBUS communication:
 - 1 Operating Instructions Field Communication with PROFIBUS PA/DP, BA00209C/07/EN

Accessories

Sensors

CCS120

- Amperometric sensor for total chlorine
- Measuring range 0.1 to 10 mg/l
- Ordering acc. to product structure, www.products.endress.com/ccs120
- Technical Information TI00388C/07/EN

CCS140

- Membrane-covered amperometric sensor for free chlorine
- Measuring range 0.05 to 20 mg/l
- Ordering acc. to product structure, www.products.endress.com/ccs140
- Technical Information TI00058C/07/EN

CCS141

- Membrane-covered amperometric trace sensor for free chlorine
- Measuring range 0.01 to 5 mg/l
- Ordering acc. to product structure, www.products.endress.com/ccs141
- Technical Information TI00058C/07/EN

CCS240

- Membrane-covered amperometric sensor for chlorine dioxide
- Measuring range 0.05 to 20 mg/l
- Ordering acc. to product structure, www.products.endress.com/ccs240
- Technical Information (TI00114C/07/EN)

CCS241

- Membrane-covered amperometric trace sensor for chlorine dioxide
- Measuring range 0.01 to 5 mg/l
- Ordering acc. to product structure, www.products.endress.com/ccs241
- Technical Information (TI00114C/07/EN)

Connection accessories

CYK71 measuring cable

- Non-terminated cable for the connection of sensors or the extension of sensor cables
- Sold by the meter, order numbers:
 - non-Ex version, black: 50085333
 - Ex version, blue: 51506616

CMK measuring cable

- For cable extension between junction box and transmitter, non terminated, sold by the meter
- Order no. 50005374

CPK1 measuring cable

- For pH/ORP electrodes with GSA plug-in head
- Ordering acc. to product structure, see Technical Information (TI00118C/07/EN)

Measuring cable CPK9-N*A1B internal PM wire

- For sensors with TOP68 plug-in head, for high-temperature and high-pressure applications, IP 68
- Ordering acc. to product structure, see Technical Information (TI 00118C/07/EN)

MK extension cable

- Two-wire signal cable with additional screen and PVC insulation.
- Particularly for the transmission of output signals of transmitters or input signals of controllers and for temperature measurement.
- Order no. 50000662

Junction box VBC

- Metallic junction box for cable extension,
- Dimensions (W x D x H): 125 x 80 x 54 mm / 4.92 x 3.15 x 2.13 inches
- Order no. 50005181

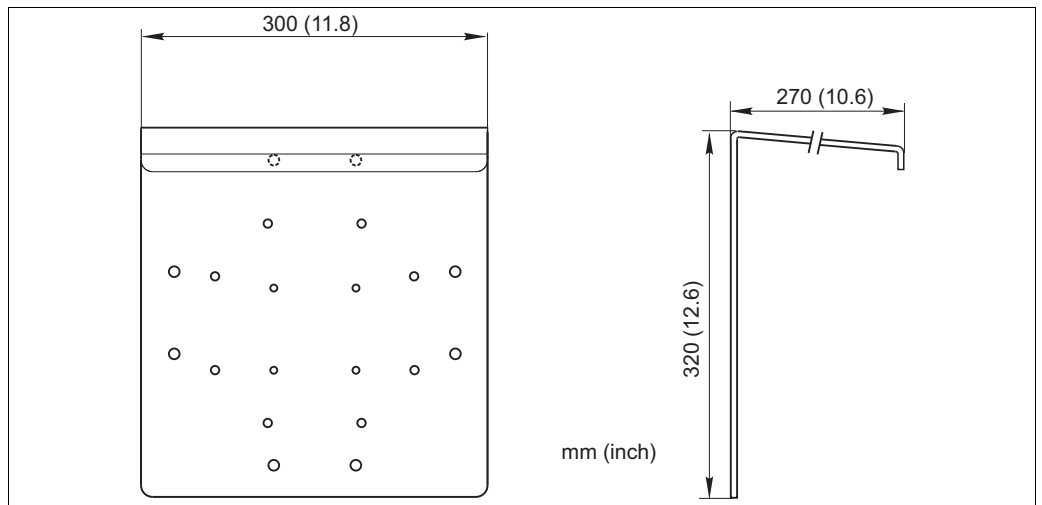
Junction box VBM

- For cable extension
- 10 terminals
- Cable entries: 2 x Pg 13.5 or 2 x NPT ½"
- Material: aluminum
- Ingress protection: IP 65 (≅ NEMA 4X)
- Order numbers:
 - cable entries Pg 13.5: 50003987
 - cable entries NPT ½": 51500177

Mounting accessories

CYY101 weather protection cover for field devices, absolutely essential if operating the unit outdoors

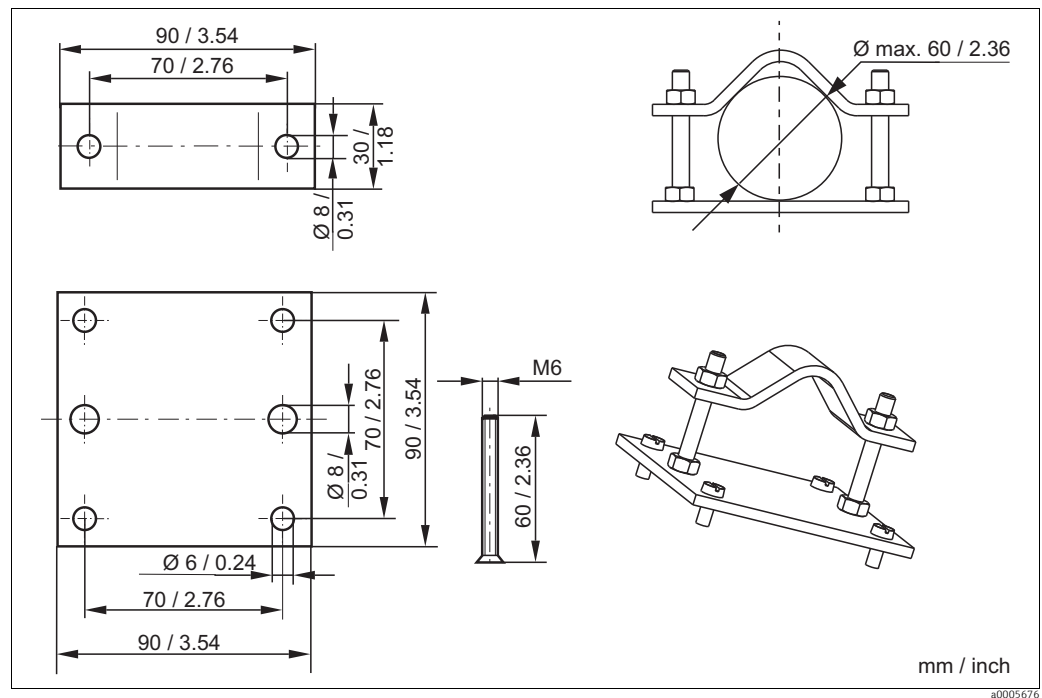
- Material: stainless steel 1.4031 (AISI 304)
- Order No. CYY101-A



Weather protection cover for field devices

Post mounting kit

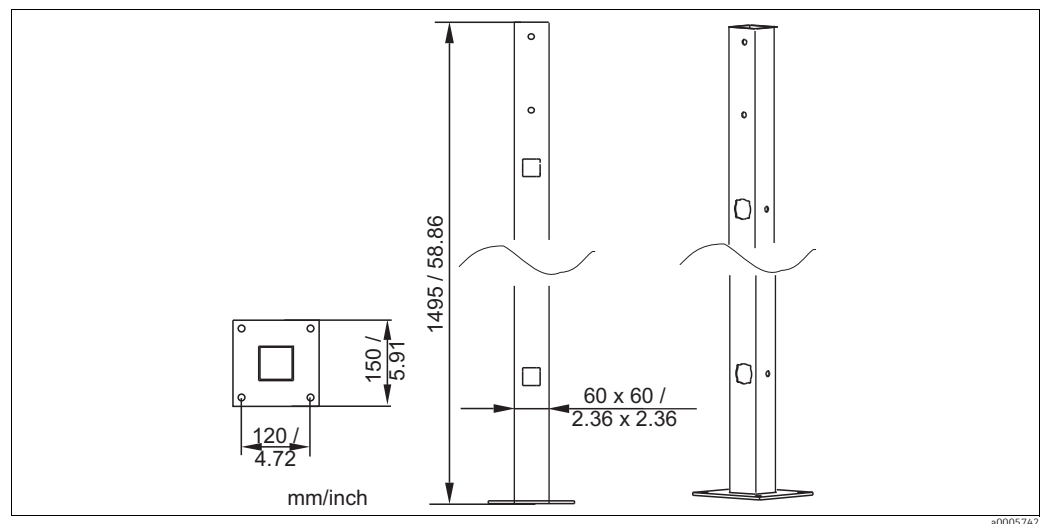
- For mounting of field housing on horizontal or vertical pipes (\varnothing max. 60 mm (2.36"))
- Material: stainless steel 1.4301
- order no. 50086842



Post mounting kit

CYY102 universal post

- Square pipe for mounting transmitters
- Material: stainless steel 1.4301 (AISI 304)
- Order No. CYY102-A



Universal post

Measuring system

Compact measuring station CCE10/CCE11

- Panel mounted ready for connection for holding one transmitter, with flow assembly CCA250
 - Ordering acc. to product structure, s. Technical Information TI00440C/07/EN
-

Calibration tool

CCM182

- Microprocessor-controlled photometer for determining chlorine and pH value
- Measuring range for chlorine: 0.05 to 6 mg/l
- Measuring range for pH value: 6.5 to 8.4
- Order no.: CCM182-0

www.addresses.endress.com
