

GM35 IN-SITU IR GAS ANALYZER

SIMULTANEOUS OR INDIVIDUAL MEASUREMENT OF
 CO_2 , H_2O AND CO OR N_2O

In-situ gas analyzer

SICK
Sensor Intelligence.

Efficient control of combustion and drying processes

Efficient control of process-relevant parameters is important for controlling and regulating combustion or drying processes. Apart from oxygen, mainly CO must be reliably and exactly measured. In drying processes, the humidity curve during the process must be acquired and the plants monitored for CO concentrations. The in-situ gas analyzer GM35 from SICK is predestined for this purpose because it measures CO, CO₂ and H₂O simultaneously and directly in the process.

Moreover, monitoring and reducing greenhouse gas emissions in industrial plants is becoming more and more important. The GM35 measures the concentrations of greenhouse gases CO₂ and N₂O as well as CO also in this sector and measures fast or short-time process fluctuations with excellent precision.

Simple and cost-saving

With the innovative in-situ measurement technology, SICK provides equipment solutions mainly characterized by simple installation and start-up, minimum maintenance and extremely short response times. This is because the GM35 measures the sample gases, including pressure and temperature in-situ, i.e. directly in the gas carrying duct. Moreover, this is achieved quickly and without complicated gas sampling or transportation, therefore avoiding the risk of changing or falsifying the gas composition.

The GM35 has a compact sender/receiver unit with zero point reflector, gas cell and grid filter which enable a real zero point and span test. Complicated adjustment with test gases is not required.

Proven measurement technology

In-situ gas analyzer GM35 contains optical and electronic subassemblies for simultaneous or individual measurement of gas components CO₂, H₂O and CO or N₂O. The in-situ measurement technology allows direct installation of the analyzer at the respective measuring location.

Two versions are available:

- **A cross-duct version** for representative measured results across the entire duct cross diameter.
- **A measuring probe version** – optimized for single-sided installation allowing simple integration into an extremely varied range of system conditions.

Measuring probe version

Sender/receiver unit with measuring probe. Two measuring probe types with integrated temperature and pressure sensors are available:

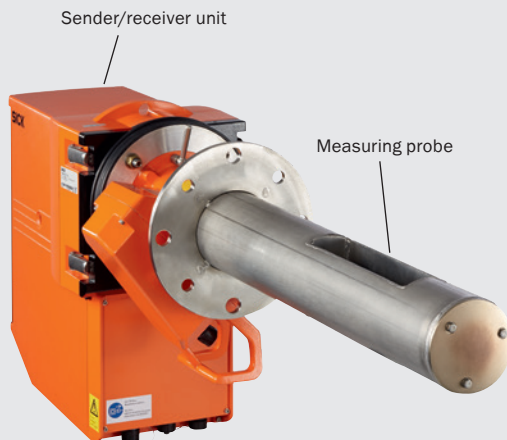
- GMP measuring probe with open measuring path
- GPP gas diffusion probe

GMP measuring probe

- Single-side duct access and simple installation
- Integrated zero point path
- Application adaptation, independent from duct dimensions
- Versatile use, suitable for dust concentrations up to 3 g/m³
- Cost-efficient to purchase

GPP gas diffusion probe

- Single-side duct access
- Suitable for applications with high dust concentrations
- Integrated zero point path
- Application adaptation, independent from duct dimensions
- Gas check possible (EPA compliant)
- Suitable for turbulent gas flows



Open GMP measuring probe



GPP gas diffusion probe



Cross Duct version

Sender/receiver unit and reflector unit are installed opposite each other at the measuring location.

- Representative measuring results over the whole duct cross-sections; also over large duct diameters
- Requires very little maintenance
- Very fast reaction time



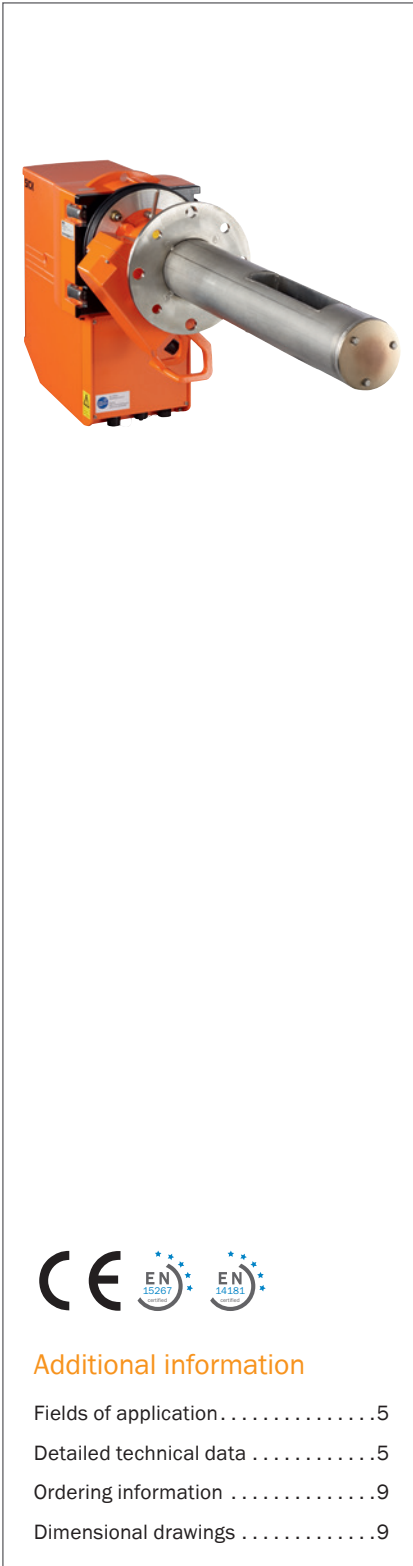
Additional components

- Evaluation unit for measured value editing, output and control function
- Purge air unit for GMP measuring probe and for Cross-Duct version

Optional components:

- Flange with tube, weather protection
- Probe with temperature and pressure sensor for Cross-Duct layout
- System Control Unit SCU

EFFICIENT CONTROL OF COMBUSTION AND DEHYDRATION PROCESSES



Product description

Simultaneous or individual measurements: the GM35 gas analyzer measures CO₂, H₂O and CO or N₂ concentrations as well as temperature and pressure quickly, easily and economically. The in-situ measurement technology of the GM35 records the measured

values directly in the gas-carrying duct without gas sampling. Reliability, accuracy and short response time of the analyzer offer a key advantage for efficient control loops in all CO and CO₂ generating processes.

At a glance

- Dynamic humidity correction
- Fast in-situ measurement directly in the process
- Simultaneous determination of up to three gas components, temperature and pressure
- No gas sampling and conditioning
- Gas testable version of measuring probe available
- Integrated self test and control functions

Your benefits

- Dynamic humidity measurement directly in the process
- Provision of real humidity reference values
- Unbiased measured values due to in-situ measurement
- Fast or short-term fluctuations in the process are recorded
- Representative measurement by selection of an appropriate probe or cross-duct type



Additional information

Fields of application 5
 Detailed technical data 5
 Ordering information 9
 Dimensional drawings 9

→ www.mysick.com/en/GM35
 For more information, just enter the link and get direct access to technical data, CAD design models, operating instructions, software, application examples and much more.

Fields of application

- Emission monitoring according to EN 14181 (MCERTS), e.g. in power or cement plants
- Control of the water-injection upstream of the electrostatic precipitator
- Monitoring of combustion efficiency in hazardous waste incineration
- Process monitoring in urea production
- Tube rupture detection in heat exchangers

Detailed technical data

The exact device specifications and performance data of the product may deviate from the information provided here, and depend on the application in which the product is being used and the relevant customer specifications.

GM35 system

Measured values	CO, CO ₂ , H ₂ O, N ₂ O
Performance tested measurands	CO, CO ₂ , H ₂ O
Measurement principles	Gas filter correlation, Interference filter correlation
Measuring ranges	<p>CO 0 ... 180 ppm / 0 ... 20,000 ppm</p> <p>CO₂ 0 ... 22.5 Vol.-% / 0 ... 100 Vol.-%</p> <p>H₂O 0 ... 25 Vol.-% / 0 ... 100 Vol.-%</p> <p>N₂O 0 ... 60 ppm / 0 ... 2,500 ppm</p> <p>Measuring ranges refer to 1 m measuring path</p> <p>Measuring ranges depend on application and device version</p>
Certified measuring ranges	<p>CO 0 ... 75 mg/m³ / 0 ... 2,000 mg/m³</p> <p>CO₂ 0 ... 15 Vol.-%</p> <p>H₂O 0 ... 25 Vol.-%</p> <p>Cross-duct and GMP version are type approved</p>
Zero point drift	± 2 % relative to measuring range end value
Reference point drift	± 2 % within the maintenance interval, relative to measuring range full scale
Ambient temperature	-40 °C ... +55 °C Temperature change ±10 °C/h maximum
Storage temperature	-40 °C ... +55 °C
Ambient humidity	≤ 96 % Relative humidity; bedewing of optical surfaces not permitted
Conformities	EN 15267 (MCERTS)
Electrical safety	CE
Enclosure rating	IP 65 / NEMA 4x
Operation	Menu-driven operation via separate control unit
Model	Cross-duct version Measuring probe version
Test functions	Automatic control cycle for zero and span point

Sender/receiver unit

Description	Analyzer unit of the measuring system
Enclosure rating	IP 65 / NEMA 4x
Bus protocol	CAN (internal system bus)
Dimensions (W x H x D)	291 mm x 527 mm x 529 mm
Weight	≤ ± 29 kg
Electrical connection	
Voltage	115 V AC / 230 V AC
Frequency	48 ... 62 Hz
Power consumption	≤ 350 W

Open measuring probe (GMP)

Description	Measuring probe in open design with integrated purge air control system
Process temperature	≤ +430 °C For N ₂ O measurement max 180 °C
Process pressure	≤ 120 hPa Depending on purge air supply
Process gas velocity	≤ 40 m/s
Dust load	≤ 3 g/m ³
Bus protocol	CAN (internal system bus)
Dimensions (W x H x D)	See dimensional drawings
Weight	Measuring probe: ≤ ± 25 kg Purge air fixture: ≤ ± 7 kg
Material in contact with media	Stainless steel 1.4571, stainless steel 1.4539
Auxiliary connections	Purge air
Integrated components	Pressure sensor PT1000 temperature sensor

Gas-testable measuring probe (GPP)

Description	Measuring probe with gas permeable filter element for adjustment with test gas
Process temperature	≤ +430 °C For N ₂ O measurement max 180 °C
Process pressure	≤ 250 hPa Depending on purge air supply
Process gas velocity	≤ 40 m/s
Dust load	≤ 30 g/m ³
Bus protocol	CAN (internal system bus)
Dimensions (W x H x D)	See dimensional drawings
Weight	Measuring probe: ≤ ± 45 kg Purge air fixture: ≤ ± 7 kg
Material in contact with media	Stainless steel 1.4571, stainless steel 1.4539, ceramics, PTFE
Electrical connection	
Voltage	115 V AC / 230 V AC
Frequency	50 Hz / 60 Hz
Power consumption	≤ 150 W
Auxiliary connections	Test gas Purge air
Integrated components	Pressure sensor PT1000 temperature sensor

Reflector unit

Description	Reflector unit with hollow triple reflector
Process temperature	≤ +500 °C For N ₂ O measurement max 180 °C
Process pressure	Depending on purge air supply
Dimensions (W x H x D)	291 mm x 280 mm x 161 mm
Weight	≤ ± 1.5 kg

GM35 evaluation unit: steel sheet enclosure

Description	The evaluation unit serves as user interface and is responsible for data processing and output as well as control and monitoring functions
Enclosure rating	IP 65 / NEMA 4x
Analog outputs	3 outputs: 0/4 ... 20 mA, 500 Ω Electrically isolated
Analog inputs	1 input: 0 ... 20 mA, 100 Ω
Digital outputs	3 relay contacts: 48 V AC, 1 A, 60 W / 48 V DC, 1 A, 30 W
Digital inputs	3 inputs: 24 V Preset for failure, maintenance and functional control
Interfaces	RS-232 (service interface)
Bus protocol	CAN (internal system bus)
Indication	LC display Status LEDs: "Power", "Maintenance" and "Fault"
Input	Arrow keys Functional keys
Operation	Menu-driven operation via LC-display and membrane keyboard
Model	Steel sheet enclosure
Dimensions (W x H x D)	200 mm x 346 mm x 97.5 mm
Weight	≤ ± 3 kg
Electrical connection	
	Voltage 115 V / 230 V
	Frequency 50 Hz / 60 Hz
	Power consumption ≤ 50 W

GM35 evaluation unit: cast metal enclosure

Description	The evaluation unit serves as user interface and is responsible for data processing and output as well as control and monitoring functions
Enclosure rating	IP 67
Analog outputs	3 outputs: 0/4 ... 20 mA, 500 Ω Electrically isolated
Analog inputs	1 input: 0 ... 20 mA, 100 Ω
Digital outputs	3 relay contacts: 48 V AC, 1 A, 60 W / 48 V DC, 1 A, 30 W Preset for failure, maintenance and functional control
Digital inputs	3 inputs: 24 V
Interfaces	RS-232 (service interface)

Bus protocol	CAN (internal system bus)
Indication	LC display Status LEDs: "Power", "Maintenance" and "Fault"
Input	Arrow keys Functional keys
Operation	Menu-driven operation via LC-display and membrane keyboard
Model	Cast metal enclosure
Dimensions (W x H x D)	289 mm x 370 mm x 138 mm
Weight	≤ ± 3 kg
Electrical connection	
Voltage	115 V / 230 V
Frequency	50 Hz / 60 Hz
Power consumption	≤ 50 W

Connection unit

Description	To lengthen the internal CAN-Bus connection with cable provided by the customer
Bus protocol	CAN (internal system bus)
Dimensions (W x H x D)	125 mm x 103 mm x 57 mm
Weight	≤ ± 3 kg

Purge air fixture: sender/receiver unit

Description	Fixture to flanges with connections for purge air and external cabelling
Bus protocol	CAN (internal system bus)
Dimensions (W x H x D)	320.9 mm x 360 mm x 220 mm
Weight	≤ ± 7 kg
Auxiliary connections	Purge air
Integrated components	PT1000 temperature sensor Pressure sensor

Purge air fixture: reflector unit

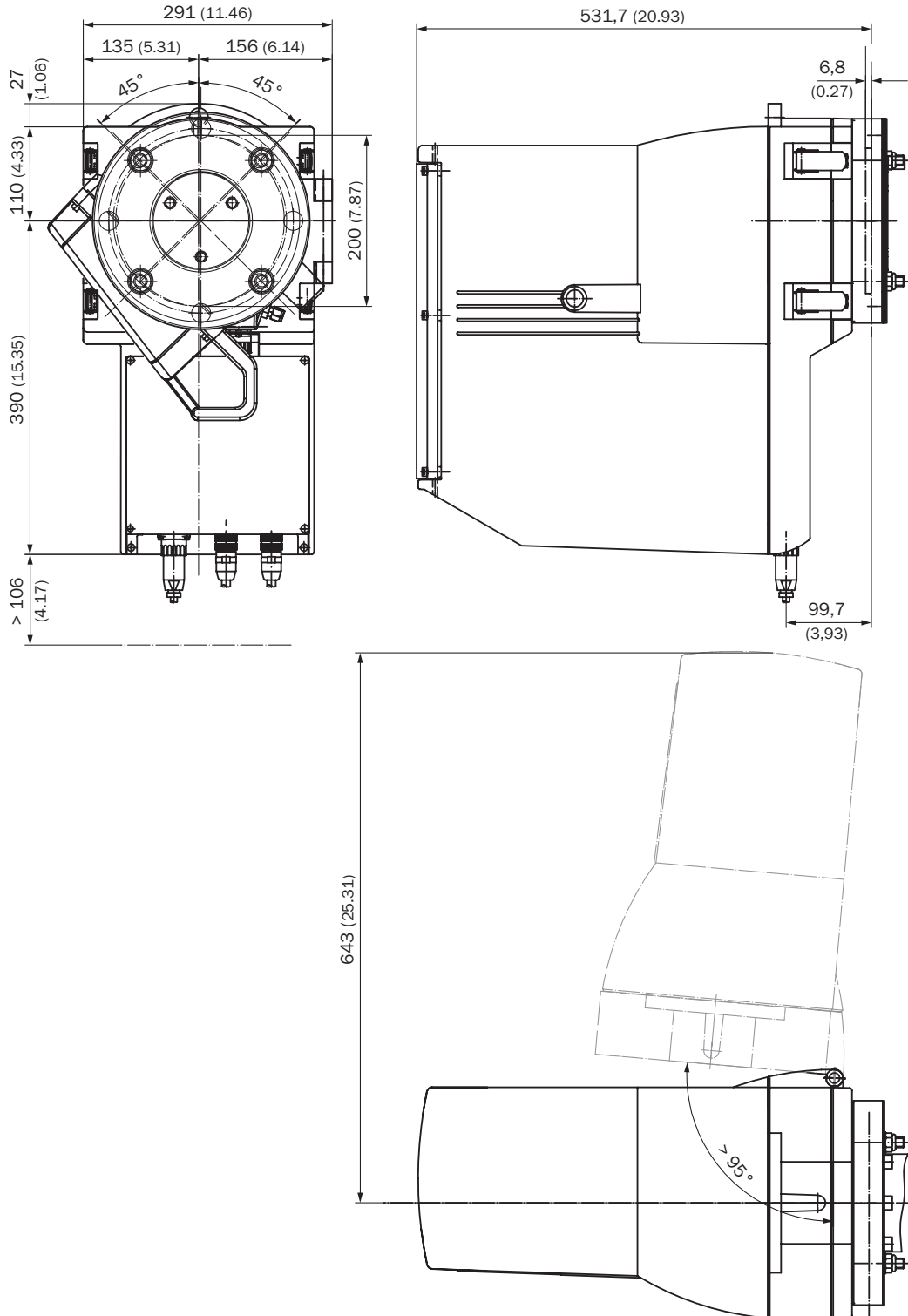
Description	Fixture to flanges with connections for purge air and external cabelling
Bus protocol	CAN (internal system bus)
Dimensions (W x H x D)	320.9 mm x 360 mm x 220 mm
Weight	≤ ± 7 kg
Auxiliary connections	Purge air

Ordering information

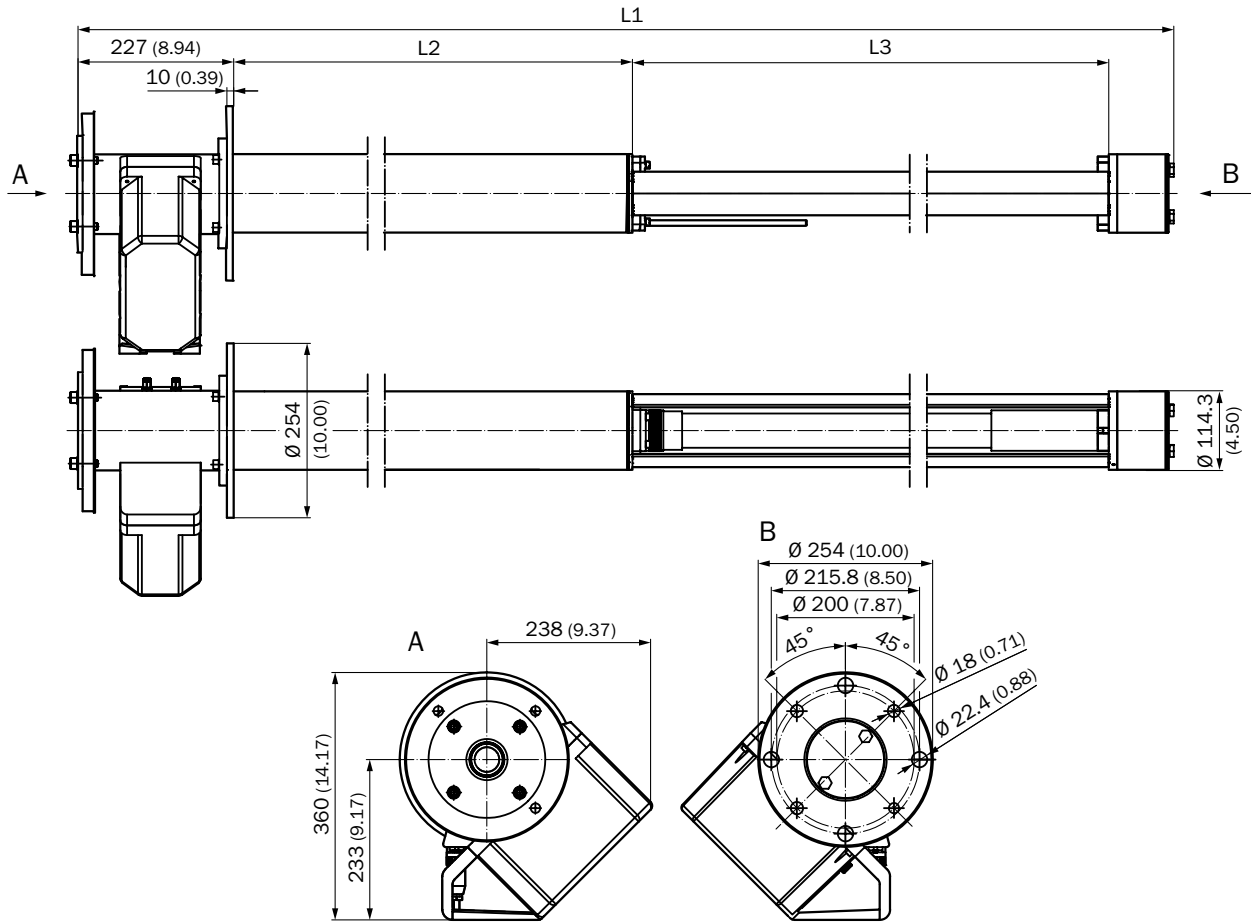
Our regional sales organization will help you to select the optimum device configuration.

Dimensional drawings (Dimensions in mm (inch))

GM35 sender/receiver unit

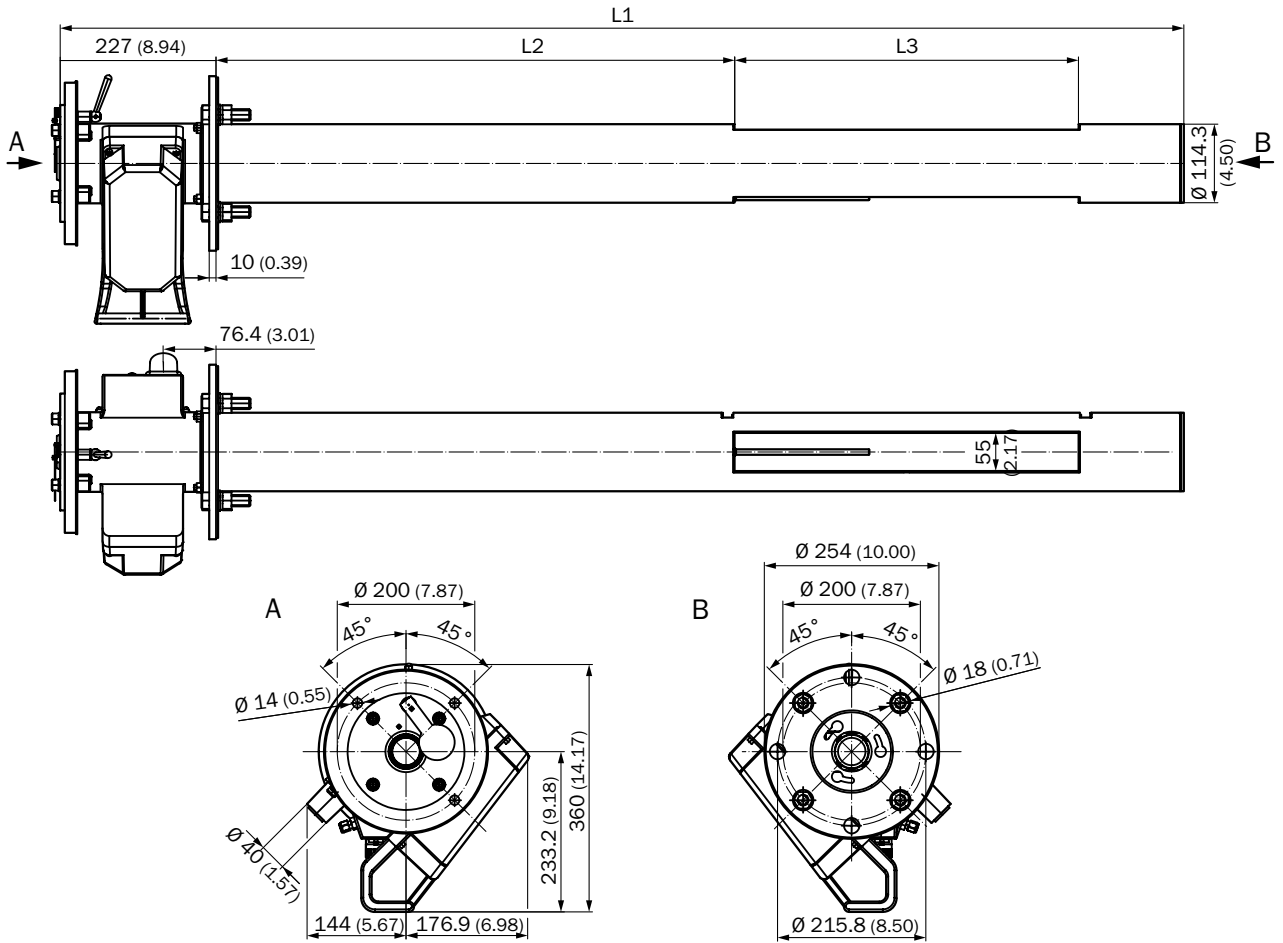


Gas-testable measuring probe (GPP)



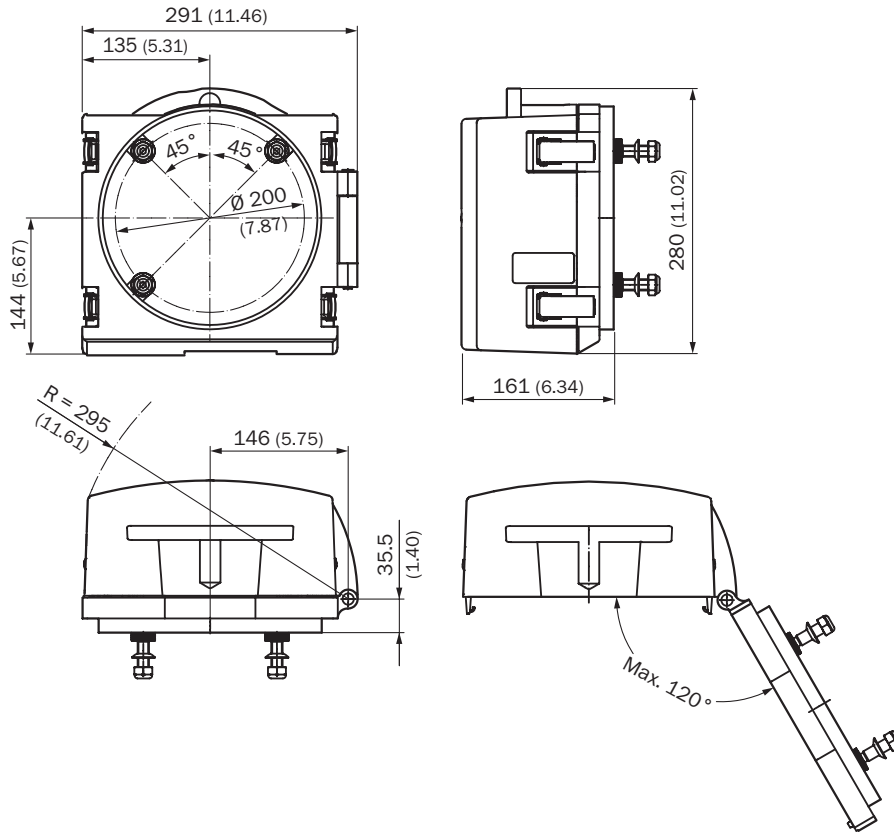
GPP measuring probes		Measuring gap L3 (active measuring path)			
		227 (8.94)	477 (18.78)	727 (28.62)	977 (38.46)
Probe length, nominal	L1	L2			
1,000 (39.37)	904 (35.59)	353 (13.90)	103 (4.06)	---	---
1,500 (59.06)	1,614 (63.54)	1,063 (41.85)	813 (32.01)	563 (22.17)	313 (12.32)
2,000 (78.74)	2,098 (82.60)	1,547 (60.91)	1,297 (51.06)	1,047 (41.22)	797 (31.38)
2,500 (98.43)	2,598 (102.28)	2,047 (80.59)	1,797 (70.75)	1,547 (60.91)	1,297 (51.06)
All dimensions in mm (inch)					
Application specific lengths on request					

Open measuring probe (GMP)

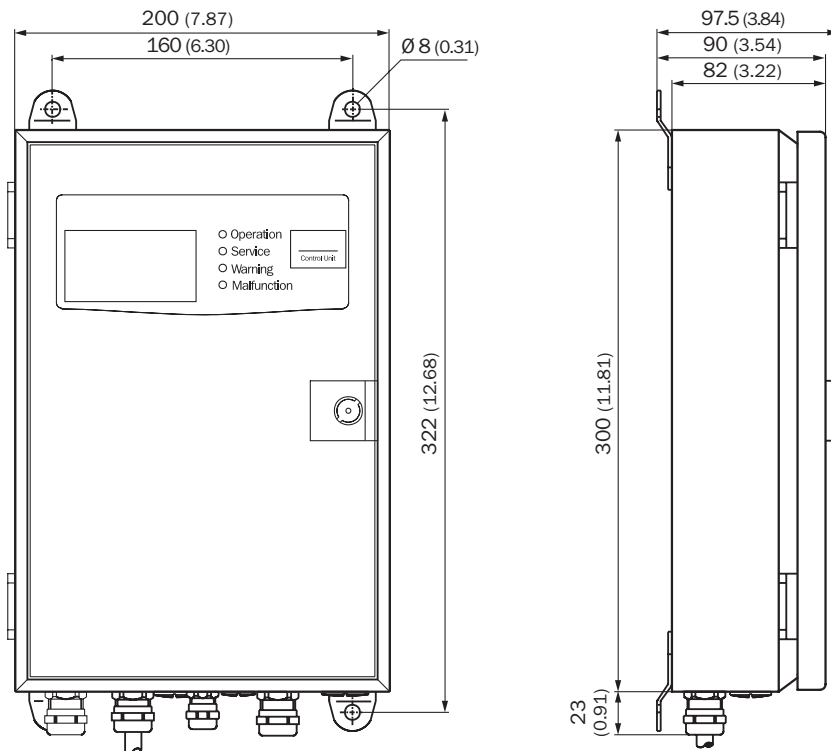


GMP measuring probes		Measuring gap L3 (active measuring path)						
		250 (9.84)	500 (19.69)	750 (29.53)	1,000 (39.37)	1,250 (49.21)	1,500 (59.06)	1,750 (68.90)
Probe length, nominal	L1	L2						
900 (35.43)	935 (36.81)	296 (11.65)	---	---	---	---	---	---
1,500 (59.06)	1,644 (64.72)	1,004.5 (39.55)	754.5 (29.70)	504.5 (19.86)	254.5 (10.02)	---	---	---
2,000 (78.74)	2,128 (83.78)	1,489 (58.62)	1,239 (48.78)	989 (38.94)	739 (29.09)	489 (19.25)	239 (9.41)	---
2,500 (98.43)	2,628 (103.46)	1,988 (78.27)	1,738 (68.43)	1,488 (58.58)	1,238 (48.74)	988 (38.90)	738 (29.06)	488 (19.21)
All dimensions in mm (inch)								
Application specific lengths on request								

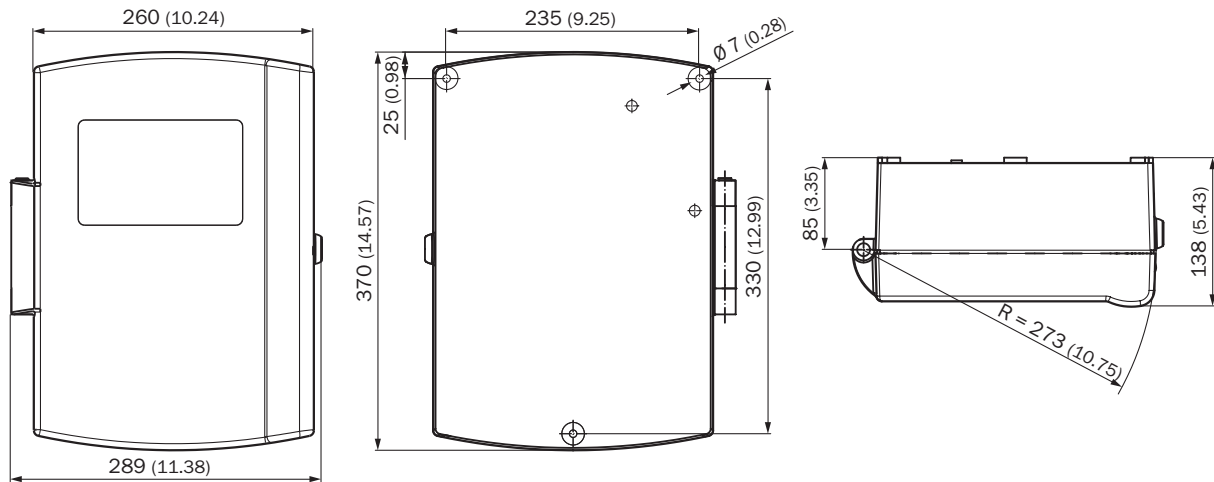
GM35 reflector unit



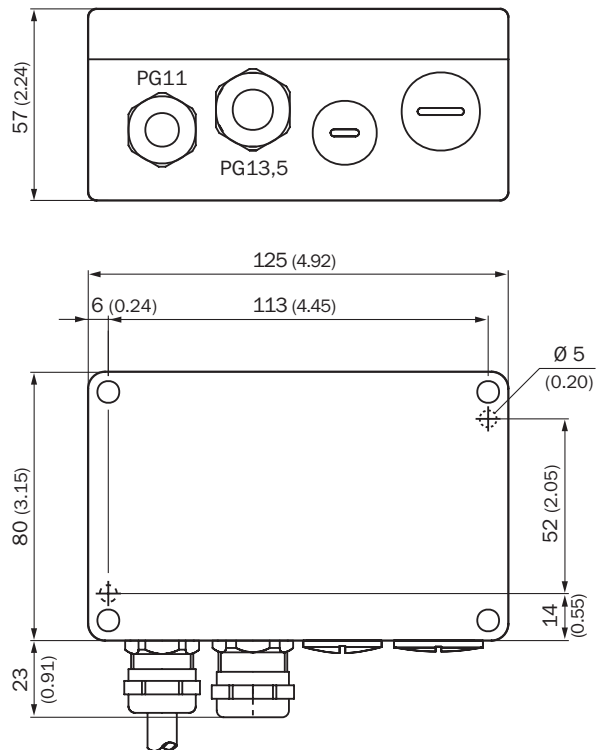
GM35 AWE evaluation unit: steel sheet enclosure



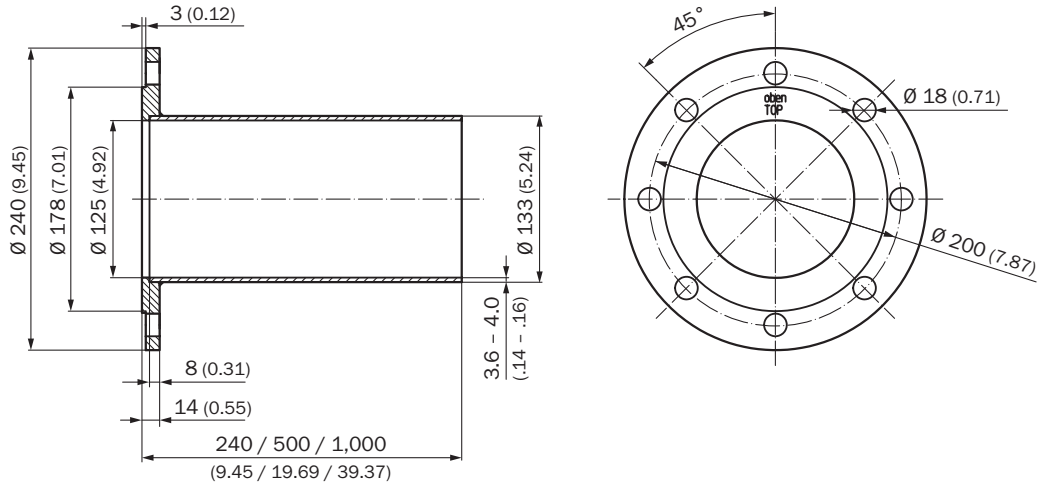
GM35 AWE evaluation unit: cast metal enclosure



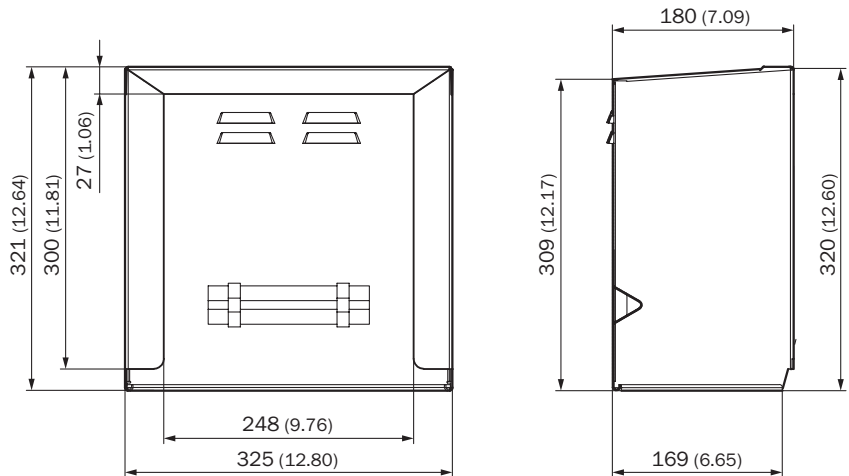
GM35 connection unit



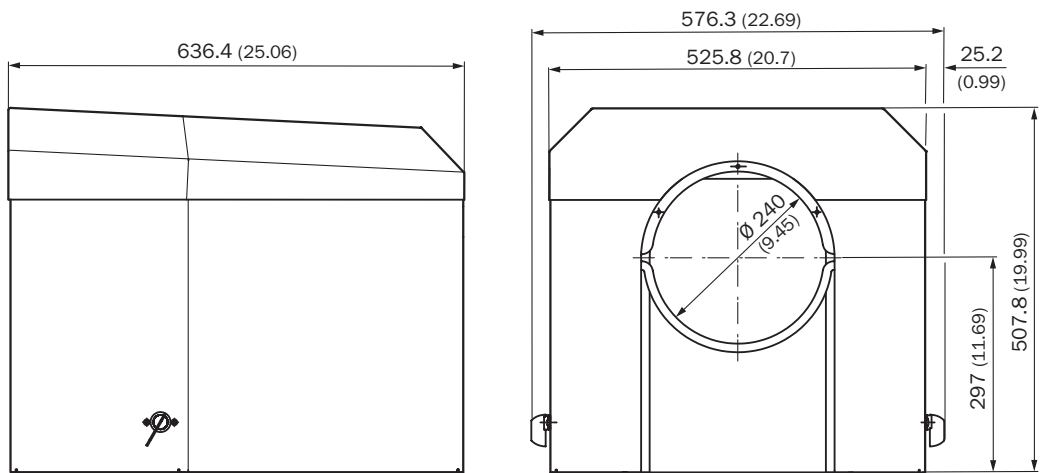
Mounting flange, $D_1=125$ mm



Weather hood for reflector unit



Weather hood for sender/receiver unit



REGISTER AT WWW.SICK.COM TODAY AND ENJOY ALL THE BENEFITS

- ✔ Select products, accessories, documentation and software quickly and easily.
- ✔ Create, save and share personalized wish lists.
- ✔ View the net price and date of delivery for every product.
- ✔ Requests for quotation, ordering and delivery tracking made easy.
- ✔ Overview of all quotations and orders.
- ✔ Direct ordering: submit even very complex orders in moments.
- ✔ View the status of quotations and orders at any time. Receive e-mail notifications of status changes.
- ✔ Easily repeat previous orders.
- ✔ Conveniently export quotations and orders to work with your systems.



SERVICES FOR MACHINES AND SYSTEMS: SICK LifeTime Services

Our comprehensive and versatile LifeTime Services are the perfect addition to the comprehensive range of products from SICK. The services range from product-independent consulting to traditional product services.



Consulting and design

Safe and professional



Product and system support

Reliable, fast and on-site



Verification and optimization

Safe and regularly inspected



Upgrade and retrofits

Easy, safe and economical



Training and education

Practical, focused and professional

SICK AT A GLANCE

SICK is a leading manufacturer of intelligent sensors and sensor solutions for industrial applications. With more than 10,000 employees and over 50 subsidiaries and equity investments as well as numerous agencies worldwide, SICK is always close to its customers. A unique range of products and services creates the perfect basis for controlling processes securely and efficiently, protecting individuals from accidents, and preventing damage to the environment.

SICK has extensive experience in various industries and understands their processes and requirements. With intelligent sensors, SICK delivers exactly what the customers need. In application centers in Europe, Asia, and North America, system solutions are tested and optimized in accordance with customer specifications. All this makes SICK a reliable supplier and development partner.

Comprehensive services round out the offering: SICK LifeTime Services provide support throughout the machine life cycle and ensure safety and productivity.

That is “Sensor Intelligence.”

Worldwide presence:

Australia, Austria, Belgium, Brazil, Canada, Chile, China, Czech Republic, Denmark, Finland, France, Germany, Great Britain, Hungary, Hong Kong, India, Israel, Italy, Japan, Malaysia, Mexico, Netherlands, New Zealand, Norway, Poland, Romania, Russia, Singapore, Slovakia, Slovenia, South Africa, South Korea, Spain, Sweden, Switzerland, Taiwan, Thailand, Turkey, United Arab Emirates, USA, Vietnam.

Detailed addresses and further locations → www.sick.com